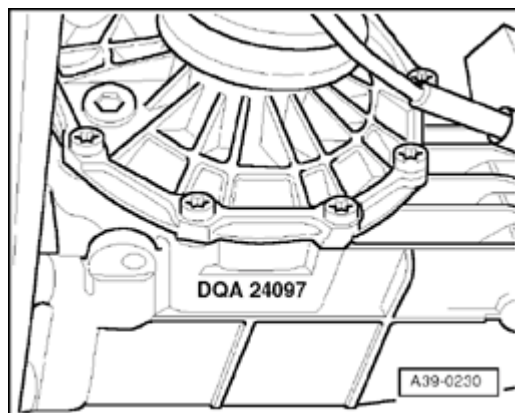


Rear final drive, identification

Final drive 01H is fitted in conjunction with manual transmission 01E (all wheel drive).

Allocation ⇒ [Page 00-6](#)



Code letters and date of manufacture of rear final drive:

| | | | | |
|-----------------|--------------|-----------|-----------|----------------------------|
| Example: | DQA | 24 | 09 | 7 |
| | | | | |
| | Code letters | Day | Month | Year (1997) of manufacture |

Note:

The code letters of the rear final drive are also included on the vehicle data stickers.

Code letters, allocation, ratios and capacities

| | | |
|---|---|--|
| Rear final drive | 01H | |
| Code letters | DQA | |
| Manufactured | from to | 01.99 |
| Allocation | Model Engine | Audi A4 1995 ➤ 2.7 ltr. - 195 kW bi-turbo |
| Ratios | Final drive | 37 : 9 = 4.111 |
| Capacity | 1.9 Liter | |
| Specification | Gear oil: SAE 75 W 90 (synthetic oil) Part number G 00 500 0 | |
| Drive shaft flange diameter | 108 mm | |
| Allocation: manual transmission (code letters) | EDU | |