

Drive flange oil seals, replacing

- Rear final drive installed
- Observe general repair instructions ⇒ [Page 00-11](#).

Note:

The exhaust system only needs to be removed if the left oil seal is replaced.

Special tools, testers and auxiliary items

- ◆ Drift 2062
- ◆ Drip tray V.A.G 1306
- ◆ Universal support V.A.G 1359/2
- ◆ Engine/transmission jack V.A.G 1383 A

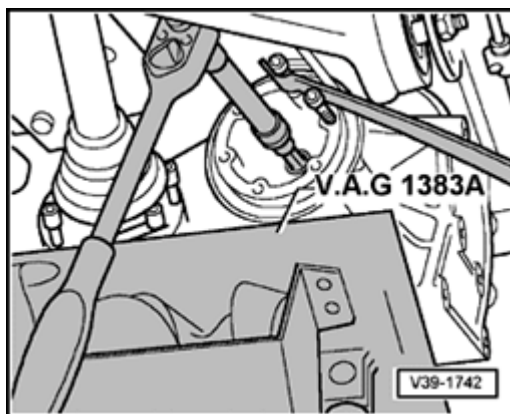
Removing

- Remove rear section of exhaust system (rearward of exhaust pipe clamp(s)):

⇒ [Repair Manual, 2.7 Liter V6 5V BiTurbo Engine Mechanical, Engine Code\(s\): APB, Repair Group 26](#)

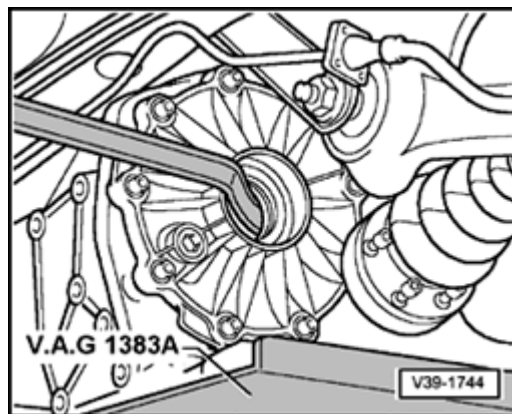
- Detach left and right-hand drive axles from rear final drive, and lay to one side:

⇒ [Repair Manual, Suspension, Wheels, Steering, Repair Group 42.](#)



A

- Remove drive flange. To loosen securing bolt, screw two bolts into drive flange and hold with bar to prevent it from turning.
- Place drip tray V.A.G 1306 underneath and drain transmission oil.
- Pull out drive flange using the bolts already screwed in.

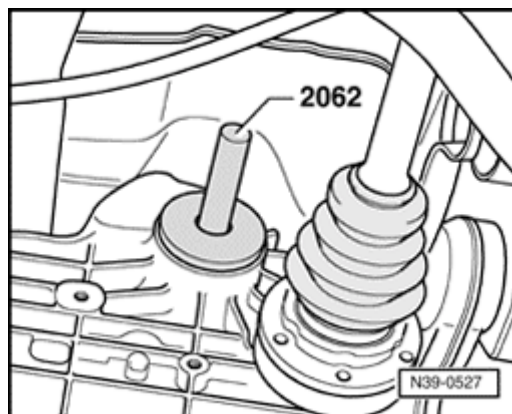


- A**
- Pry out drive flange oil seal with a suitable lever.

Installing

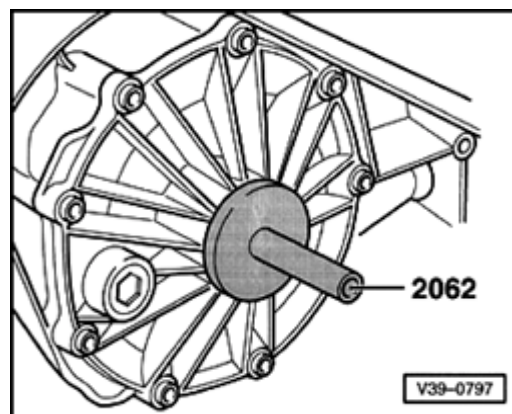
Installation is carried out in the reverse order, when doing this note the following:

- Clean seat for oil seal.
- Moisten outer circumference of seal with gear oil.
- Fill space between sealing lip and dust lip with sealing grease G52 128 A1.



- A**
- Drive in oil seal for left drive flange onto stop with mandrel 2062, taking care to keep the seal straight.

39-101



A

- Drive in oil seal for right drive flange onto stop with mandrel 2062, ensuring that seal is kept straight.
- Bolt on driveshaft.

⇒ [Repair Manual, Suspension, Wheels, Steering, Repair Group 42.](#)

- Align exhaust system free of stress.

⇒ [Repair Manual, 2.7 Liter V6 5V BiTurbo Engine Mechanical, Engine Code\(s\): APB, Repair Group 26](#)

- Top up gear oil in rear final drive and check oil level ⇒ [Page 39-80](#) .

Tightening torque

Component		Nm
Drive flange to final drive		25
Drive axle to flange shaft	M8	40
	M10	77