

## Rear final drive, disassembling and assembling

### Rear final drive, overview

#### Note:

- ◆ Removing drive flange housing from rear final drive with final drive installed ⇒ [Page 39-81](#) .
- ◆ Removing drive flange housing from rear final drive with final drive removed ⇒ [Page 39-111](#) .

1 - Final drive housing

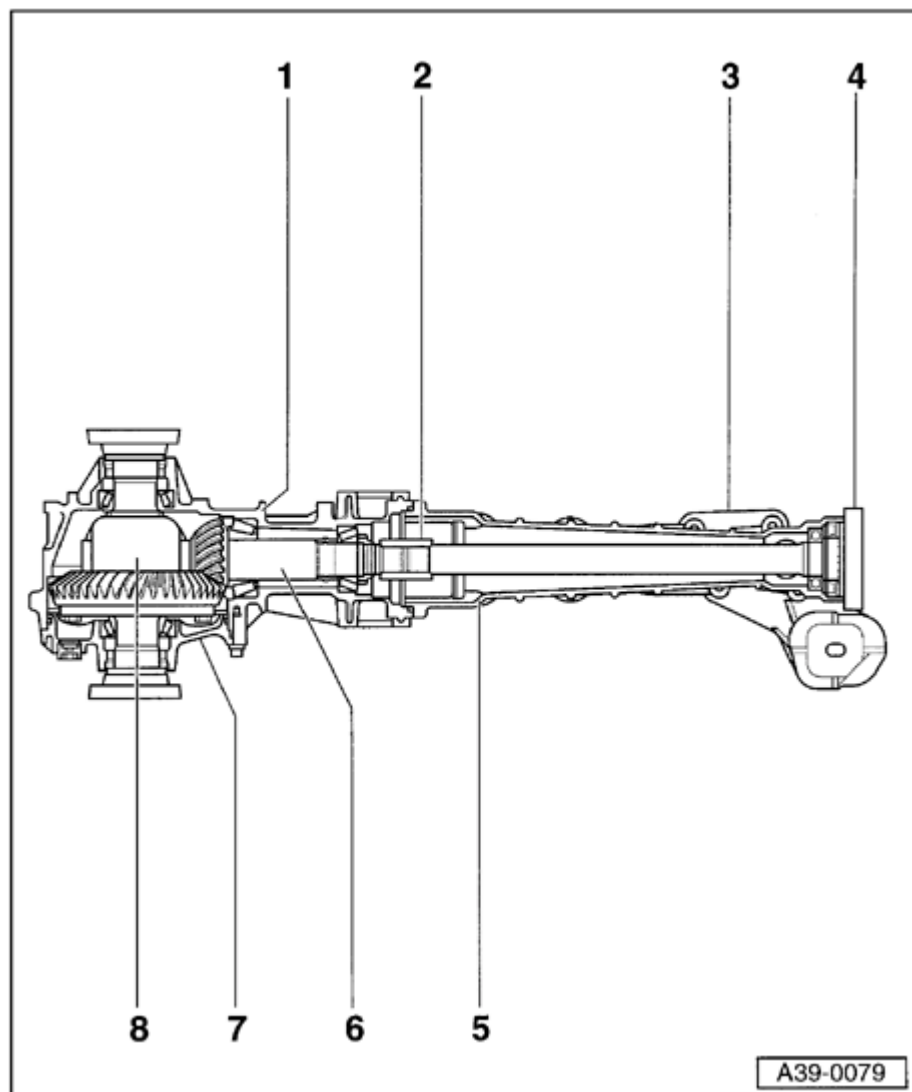
2 - Sleeve

3 - Final drive support

4 - Flange for driveshaft

- ◆ Removing ⇒ [Page 39-93](#)

39-110



### 5 - Drive flange housing

- ◆ Removing and installing ⇒ [Page 39-81](#)

### 6 - Drive pinion

- ◆ Paired with ring gear
- ◆ Removing and installing drive pinion ⇒ [Page 39-134](#)

### 7 - Cover for final drive

### 8 - Differential

- ◆ Must be removed before disassembling drive pinion
- ◆ Removing and installing ⇒ [Page 39-112](#)
- ◆ Disassembling and assembling ⇒ [Page 39-120](#)

### Removing drive flange housing from rear final drive

- Rear final drive removed

### Special tools, testers and auxiliary items

- ◆ Multipurpose tool VW 771 and 771/15
- ◆ Drip tray V.A.G 1306

- Secure rear final drive to repair stand ⇒ [Page 39-108](#) .

- Place drip tray V.A.G 1306 underneath and drain transmission oil.

- Remove bolts securing the drive flange housing to rear final drive housing.

A

- Pull off drive flange housing with drive flange ; when doing this, support drive flange housing.

