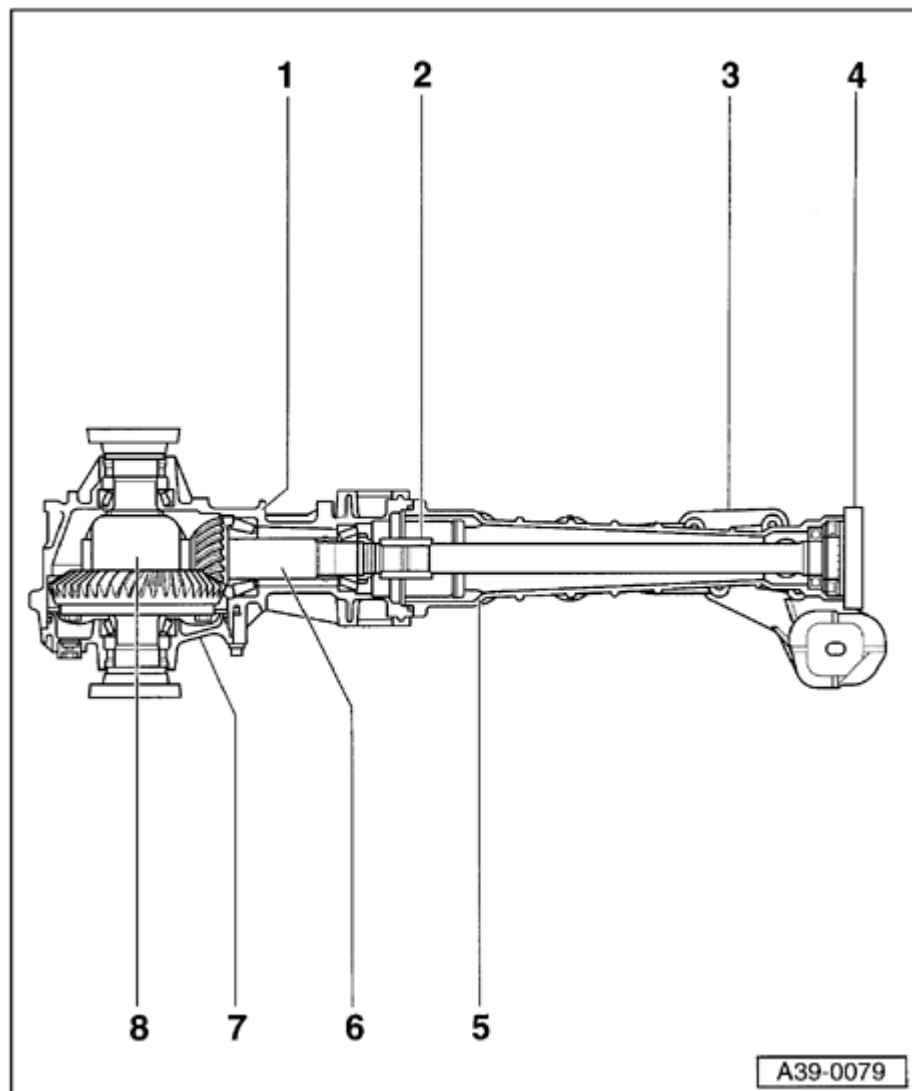


39-111



Rear final drive, disassembling and assembling

Assembly overview

Notes:

- ◆ Separating drive flange housing from final drive with the final drive installed ⇒ [Page 39-85](#)
- ◆ Separating drive flange housing from final drive with the final drive removed ⇒ [Page 39-113](#)

1 - Final drive housing

2 - Sleeve

3 - Transmission support

4 - Drive flange

- ◆ Removing ⇒ [Page 39-93](#)

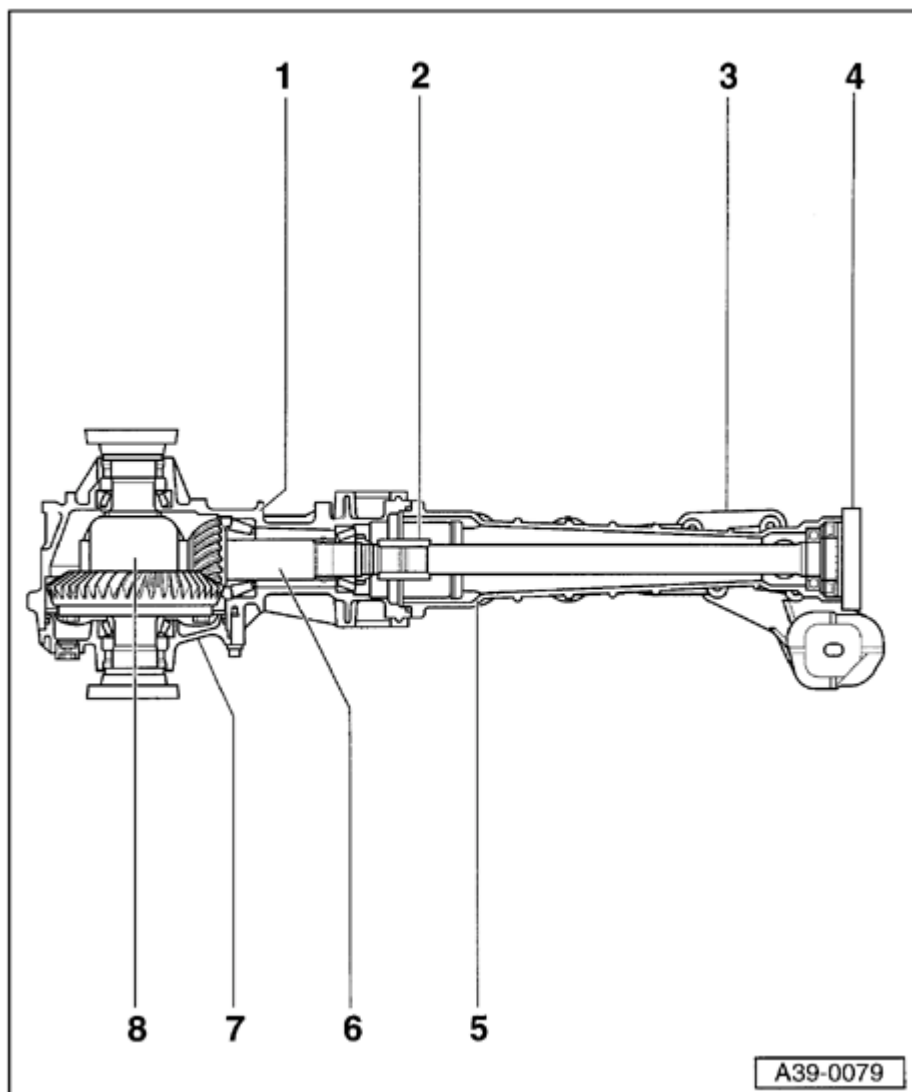
5 - Drive flange housing

- ◆ Removing and installing ⇒ [Page 39-85](#)

6 - Pinion shaft

- ◆ Is matched with ring gear, always replace together as a set.
- ◆ Removing and installing ⇒ [Page 39-134](#)

39-112

**7 - Final drive cover****8 - Differential**

- ◆ Must be removed before removing pinion shaft
- ◆ Removing and installing ⇒ [Page 39-114](#)
- ◆ Disassembling and assembling ⇒ [Page 39-121](#)

Drive flange housing, removing from final drive housing

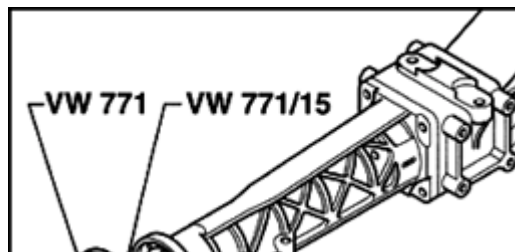
- Final drive removed.

Special tools and equipment

- ◆ VW771 slide hammer-complete set with 771/15 threaded piece
- ◆ VW1306 drip tray

Removing

- Mount final drive on repair stand ⇒ [Page 39-110](#) .
- Place VAG1306 drip tray under final drive and drain gear oil.
- Remove bolts from drive flange housing to final drive housing.
- Remove drive flange housing by pulling on drive flange, and support drive flange housing.



A