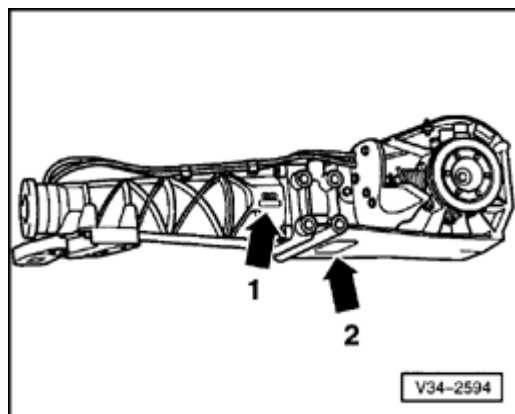


Rear final drive identification

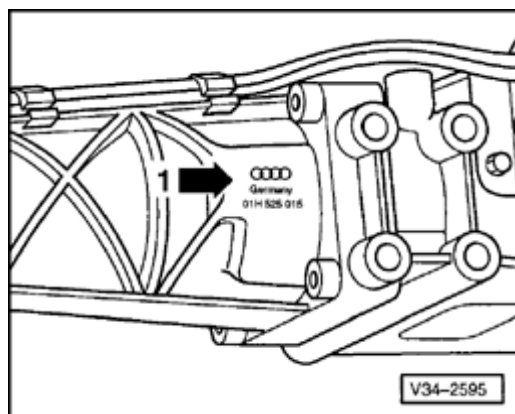
Rear final drive O1H is installed in combination with manual transmission 01A for AWD vehicles.

Applications ⇒ [Page 00-9](#) .

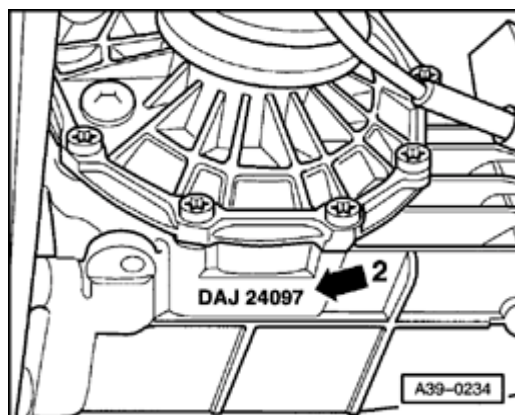


Location on rear final drive

- ◆ Rear final drive 01H (arrow -1-).
- ◆ Code letters and date of manufacture (arrow -2-).



A 01H rear final drive (arrow -1-)



A Code letters and date of manufacture (arrow -2-)

Example:	DAJ	24	09	7
	Transmission code letters	Day	Month	Year
	Date (e.g. 24 Sep. 1997)			

Note:

The code letters of the rear final drive are also listed on the vehicle data stickers.

Code letters, engine/transmission applications, ratios, capacities

Rear final drive		CKH	DAJ
Code letters			
Manufactured	from	07.94	05.96
	to	06.96	
Application	Model	Audi A4 1996 ➤	Audi A4 1996 ➤
	Engine	1.8 ltr - 110 kW (150 hp)	1.8 ltr - 110 kW (150 hp)
		2.8 ltr - 128 kW (172 hp)	2.8 ltr - 128 kW (172 hp)
		2.8 ltr - 142 kW (190 hp)	2.8 ltr - 142 kW (190 hp)
Ratios	Rear final drive	35 : 9 = 3.889	35 : 9 = 3.889
Capacity		1.9 liter (2.01 qt.)	
Specification		Gear oil: SAE 75 W 90 (synthetic oil) Part Number: G 005 000 (1 Liter)	
Drive shaft flange diameter		100 mm (3.94 in.)	
Application: manual transmission (code letters)		CTF CXF	CTF DJJ

	CXW	DJP
	DDL	DDL
		DJR