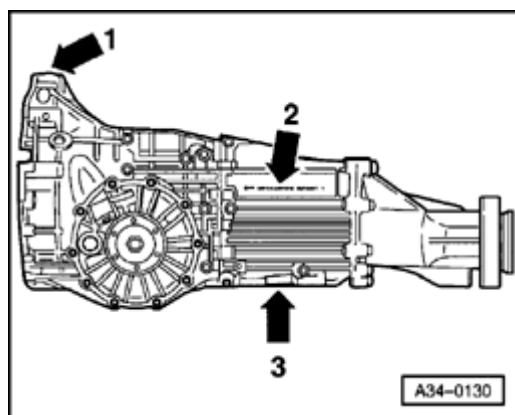


Transmission identification

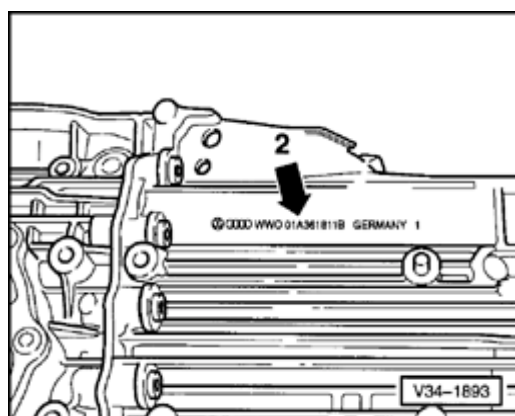
The manual transmission 01A AWD is installed in the Audi A4 1998 ➤ as a 5-speed transmission in conjunction with the 4-cylinder turbo engine or 6-cylinder engine.

Applications ⇒ [Page 00-3](#) .

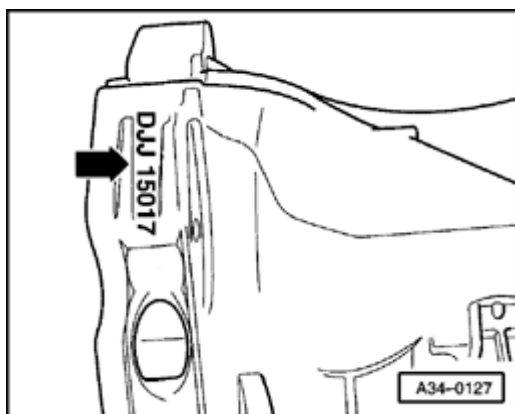


Locations on transmission

- ◆ Code letters and date of manufacture (arrow -1-).
- ◆ Manual transmission 01A (arrow -2-).
- ◆ Code letters (arrow -3-).



Manual transmission 01A (arrow -2-)



A Code letters and date of manufacture (arrow -1-)

Example:	DJJ	15	01	7
	Transmission code letters	Day	Month	Year
	Date (e.g. 15 Jan. 1997)			

Additional data is pre-production related.

Note:

The code letters of the transmission are engraved on the lower part of the transmission cover and are also engraved on the vehicle data plates.

Code letters, engine/transmission applications, ratios, capacities

Transmission 01A all-wheel-drive		CTF	DJJ	CXF	CXW
Code letters					
Manufactured	from:	11.94	07.96	11.94	11.94
	to:	07.96	-	11.94	07.96
Application	Model	Audi A4 1996 ➤	Audi A4 1996 ➤	Audi A41996 ➤	Audi A4 1996 ➤
	Engine	1.8 ltr - 110 kW (150 hp)	1.8 ltr - 110 kW (150 hp)	2.8 ltr -128 kW (172 hp)	2.8 ltr -128 kW (172 hp)
Ratios	Final drive	35 : 9 = 3.889	35 : 9 = 3.889	35 : 9 = 3.889	35 : 9 = 3.889
Z2 : Z1 = i	1st gear	34 : 9 = 3.778	34 : 9 = 3.778	35 : 10 = 3.500	35 : 10 = 3.500
	2nd gear	37 : 17 = 2.176	37 : 17 = 2.176	35 : 18 = 1.944	35 : 18 = 1.944
	3rd gear	40 : 28 = 1.429	40 : 28 = 1.429	39 : 30 = 1.300	39 : 30 = 1.300
	4th gear	35 : 34 = 1.029	35 : 34 = 1.029	33 : 35 = 0.943	33 : 35 = 0.943
	5th gear	31 : 37 = 0.838	30 : 37 = 0.838	30 : 38 = 0.789	30 : 38 = 0.789
	Reverse gear	31 : 9 = 3.444	31 : 9 = 3.444	31 : 9 = 3.444	31 : 9 = 3.444
Continued on next Page					

00-4

Transmission 01A all-wheel-drive	CTF	DJJ	CXF	CXW
Code letters				
Speedometer	Electronic			
Capacity	2.75 liter (2.91 qt.)			
Specification	Gear oil: SAE 75 W 90 (synthetic oil) Part Number: G 005 000 (1 Liter)			
Clutch mechanism	Hydraulic			
Clutch plate diameter	228 mm (8.98 in.)	228 mm (8.98 in.)	240 mm (9.45 in.)	240 mm (9.45 in.)
Drive shaft flange diameter	100 mm (3.94 in.)			
Overall ratio iov in top gear	3.258	3.258	3.070	3.070
Application: rear final drive	CKH	DAJ	CKH	CKH
(code letters)	DAJ			

00-5

Transmission 01A all-wheel-drive		DJP	DDL	DJR
Code letters				
Manufactured	from:	07.96	03.96	07.96
	to:	07.97	07.96	-
Application	Model	Audi A4 1996 ➤	Audi A4 1996 ➤	Audi A41996 ➤
	Engine	2.8 ltr - 128 kW (172 hp)	2.8 ltr - 142 kW (190 hp)	2.8 ltr -142 kW (190 hp)
Ratios	Final drive	35 : 9 = 3.889	35 : 9 = 3.889	35 : 9 = 3.889
Z2 : Z1 = i	1st gear	35 : 10 = 3.500	35 : 10 = 3.500	35 : 10 = 3.500
	2nd gear	35 : 18 = 1.944	35 : 18 = 1.944	35 : 18 = 1.944
	3rd gear	39 : 30 = 1.300	39 : 30 = 1.300	39 : 30 = 1.300
	4th gear	33 : 35 = 0.943	33 : 35 = 0.943	33 : 35 = 0.943
	5th gear	30 : 38 = 0.789	30 : 38 = 0.789	30 : 38 = 0.789
	Reverse gear	31 : 9 = 3.444	31 : 9 = 3.444	31 : 9 = 3.444
Continued on next Page				

Transmission 01A all-wheel-drive	DJP	DDL	DJR
Code letters			
Speedometer	Electronic		
Capacity	2.75 liter (2.906 qt.)		
Specification	Gear oil: SAE 75 W 90 (synthetic oil) Part Number: G 005 000 (1 Liter)		
Clutch mechanism	Hydraulic		
Clutch plate diameter	240 mm (9.45 in.)	240 mm (9.45 in.)	240 mm (9.45 in.)
Drive shaft flange diameter	100 mm (3.94 in.)		
Overall ratio iov in top gear	3.070	3.070	3.070
Application: rear final drive (code letters)	DAJ	CKH DAJ	DAJ