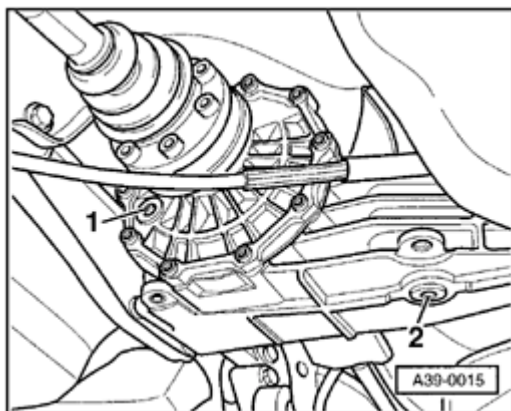


## Gear oil in rear final drive, checking

**A**

- Unscrew oil filler plug -1- for checking gear oil.
  - ◆ Specification: Oil level should reach lower edge of oil filler hole.
- If necessary, top up gear oil. Specification ⇒ [page 00-25](#) .
- Install oil filler plug.

### Tightening torque

Component	Nm
Oil filler plug	35