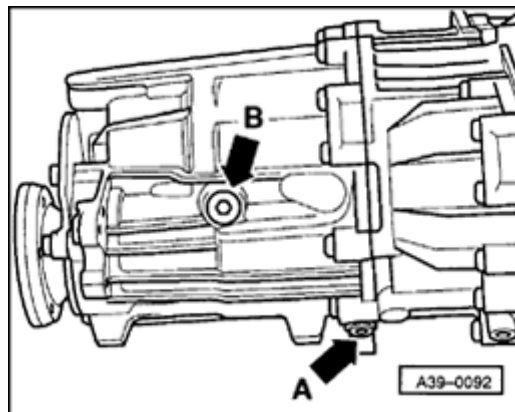


Gear oil in center differential

Gear oil in center differential, checking and topping off



A

- If necessary, loosen or remove relevant parts of the exhaust system to gain access to oil filler plug (arrow B):

⇒ *Repair Manual, Engine Mechanical, Repair Group 26; removing and installing exhaust system*

- Remove oil filler plug (arrow).
 - ◆ Specification: Oil level should reach lower edge of oil filler hole.
- If necessary, top up gear oil. Specification ⇒ [page 00-24](#) .
- Always replace oil filler plug.
- Install new oil filler plug.
- Secure or re-install exhaust system free of stress:

⇒ *Repair Manual, Engine Mechanical, Repair Group 26; removing and installing exhaust system*

Tightening torque

Component	Nm
Oil filler plug	35

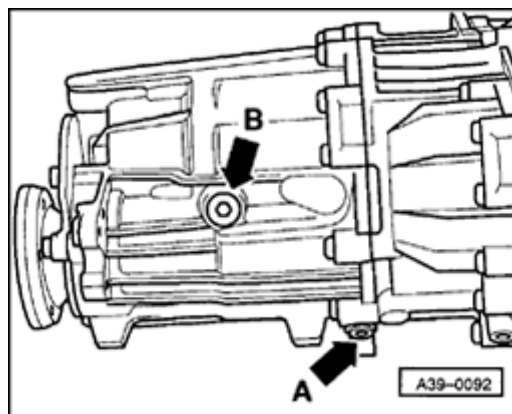
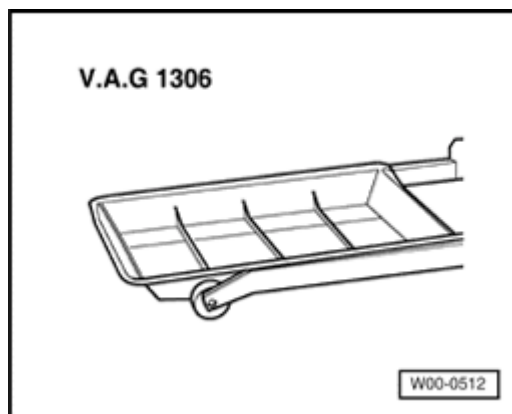
Gear oil in center differential, changing or topping off after repair

Special tools and equipment

- A**
- ◆ VAG1306 drip tray

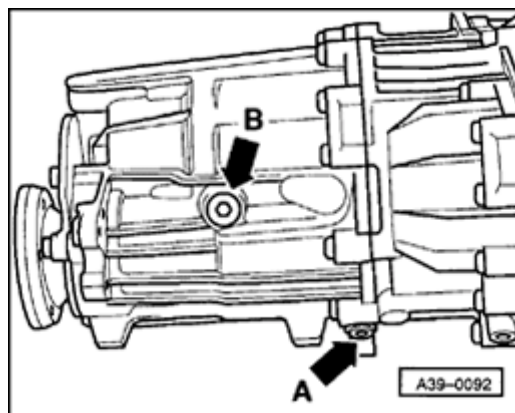
Draining gear oil

- Place VAG1306 drip tray underneath.



- A**
- Removing drain plug (arrow A) and draining gear oil.
 - Always replace drain plug.
 - Install new drain plug (arrow A) again.

Filling up gear oil



A

- If necessary, loosen or remove relevant parts of the exhaust system to gain access to oil filler plug (arrow B):

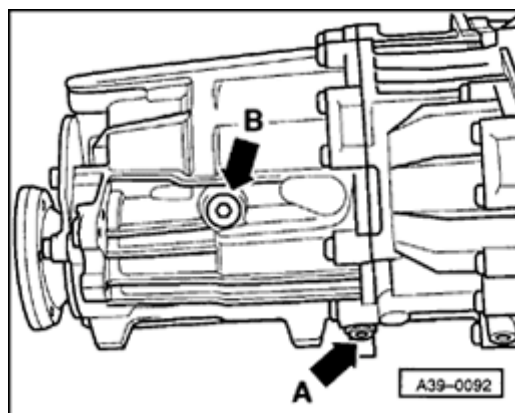
⇒ *Repair Manual, Engine Mechanical, Repair Group 26; removing and installing exhaust system*

Note:

There is a distinction made between two cases:

- A Center differential was not removed
- B Center differential was removed

A - Center differential was not removed (e.g. after removing and installing drive flange)



A

- Remove oil filler plug (arrow B).
- Top up transmission fluid to lower edge of oil filler hole. Specification and capacity ⇒ [page 00-24](#) .
- Install old oil filler plug.

Note:

If it was necessary to loosen or remove the exhaust system, this must be re-secured or re-installed for the road test. It must be removed and installed again for the final oil level check.

- Road test vehicle (15 minutes pure driving).

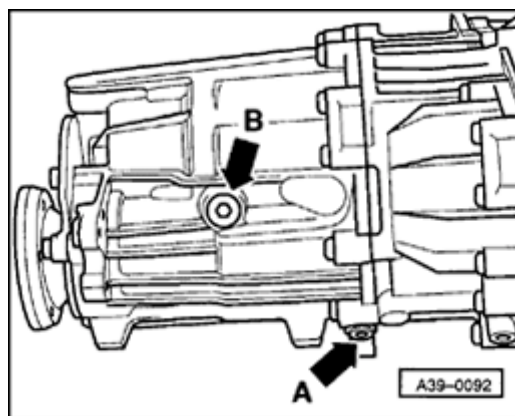
Note:

During road test, gear oil will enter output cover and Torsen differential; oil level in center differential housing will drop.

- Fill transfer housing with gear oil and check oil level ⇒ [page 39-40](#) .

B - Center differential was removed and disassembled

- Add 200 ml. gear oil to output cover.
- Assemble center differential and install ⇒ [page 39-58](#) .



A

- Remove oil filler plug (arrow B).
- Add 600 ml. gear oil to center differential housing.
- Always replace oil filler plug.
- Install new oil filler plug.

Note:

Oil level does not need to be re-checked.

All:

- Secure or re-install exhaust system free of stress:

⇒ *Repair Manual, Engine Mechanical, Repair Group 26; removing and installing exhaust system*

Tightening torques

Component	Nm
Oil drain plug	20
Oil filler plug	35