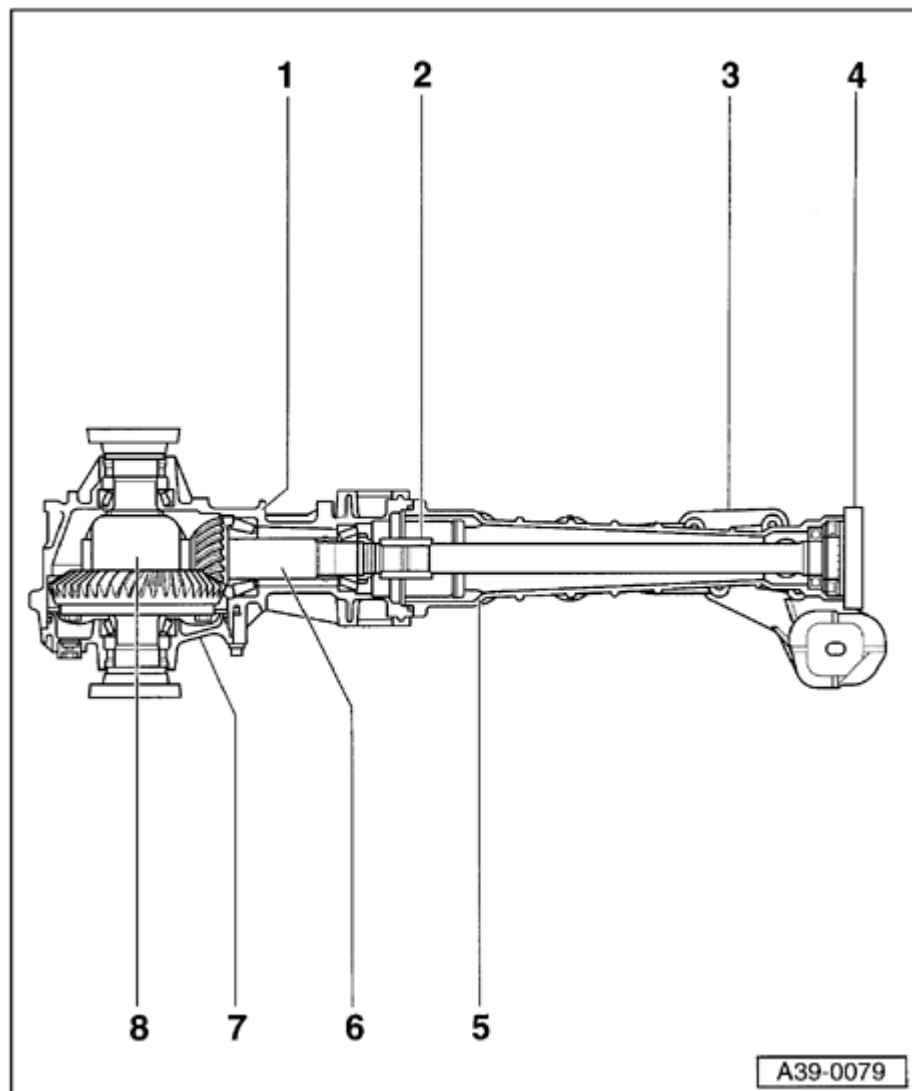


39-124



Rear final drive, disassembling and assembling

Overview

Notes:

- ◆ Disconnect torque tube from rear final drive with the final drive installed ⇒ [page 39-95](#) .
- ◆ Disconnect torque tube from rear final drive with the final drive removed ⇒ [page 39-126](#) .

1 - Final drive housing

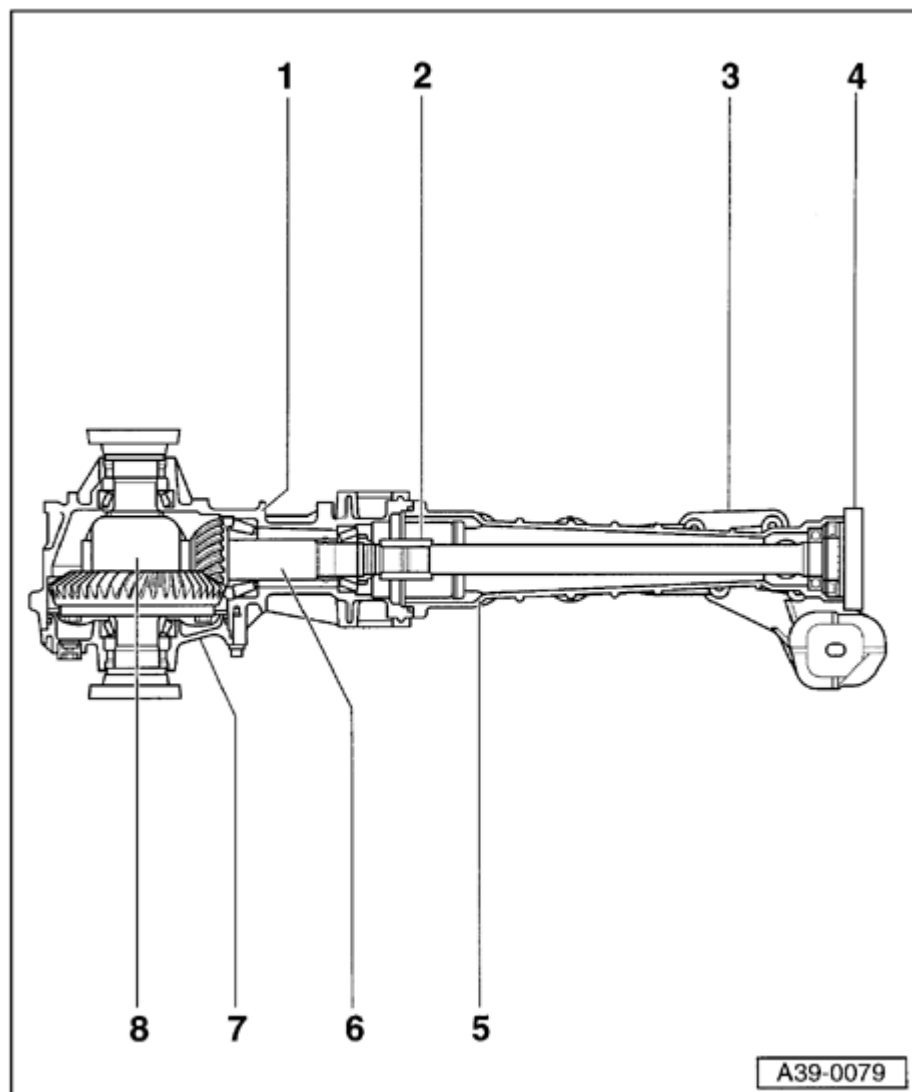
2 - Sleeve

3 - Transmission support

4 - Driveshaft flange

- ◆ Removing ⇒ [page 39-108](#)

39-125

**5 - Torque tube**

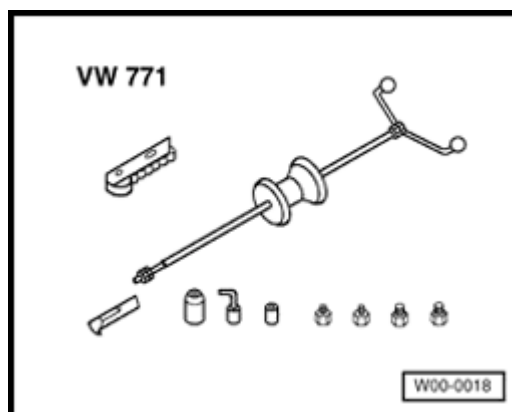
- ◆ Removing and installing ⇒ [page 39-95](#)

6 - Drive pinion

- ◆ Matched to ring gear
- ◆ Removing and installing differential gear ⇒ [page 39-152](#)

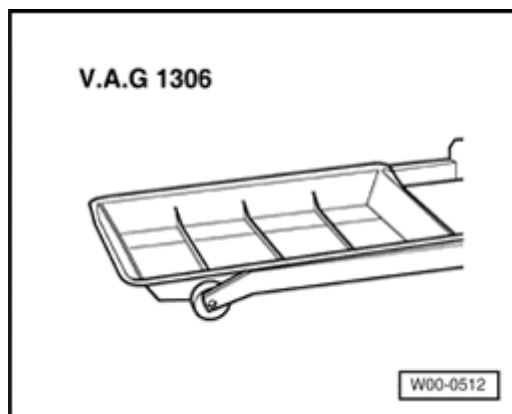
7 - Cover for final drive**8 - Differential**

- ◆ Remove before removing drive pinion
- ◆ Removing and installing ⇒ [page 39-128](#)
- ◆ Disassembling and assembling ⇒ [page 39-136](#)

Disconnect torque tube from rear final drive.**Special tools and equipment**

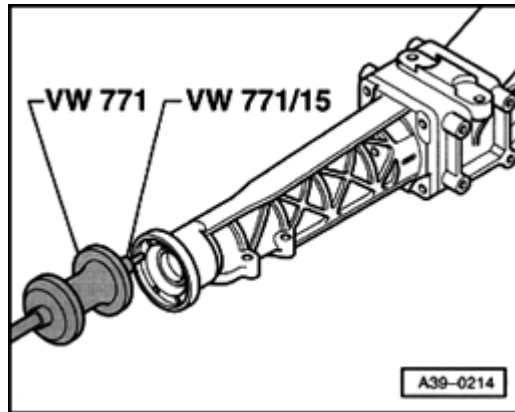
A

- ◆ VW 771 slide hammer-complete set with 771/15 threaded piece



A

- ◆ VAG1306 drip tray
 - Rear final drive removed
 - Secure rear final drive to assembly stand ⇒ [page 39-123](#) .
 - Place VAG1306 drip tray underneath and drain gear oil.
 - Remove bolts for torque tube/housing for final drive.



- A
- Pull torque tube off of drive flange, and intercept it.