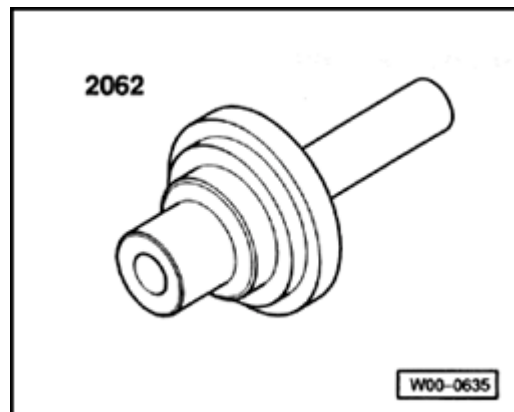
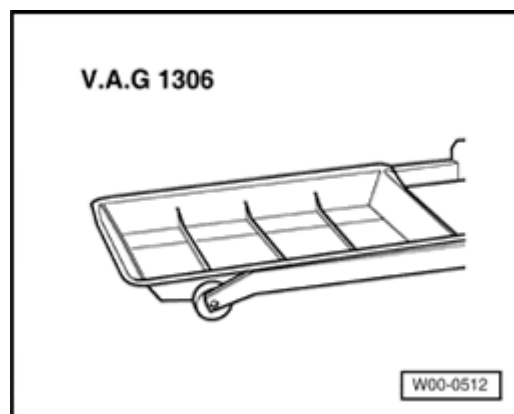


## Oil seals for flange shafts, replacing

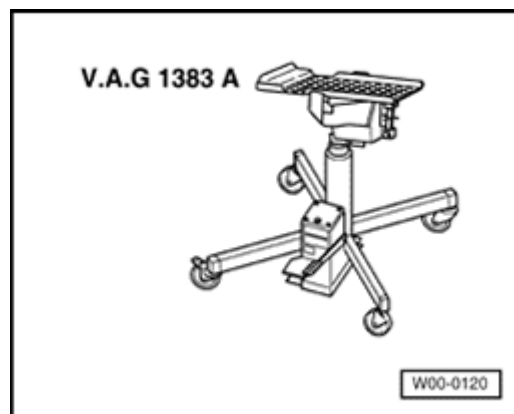
### Special tools and equipment



◆ 2062 driver



◆ VAG1306 drip tray



A

- ◆ VAG1383A engine/transmission hoist

### Removing

- Rear final drive installed
- Observe general repair notes ⇒ [page 00-27](#) .

### Note:

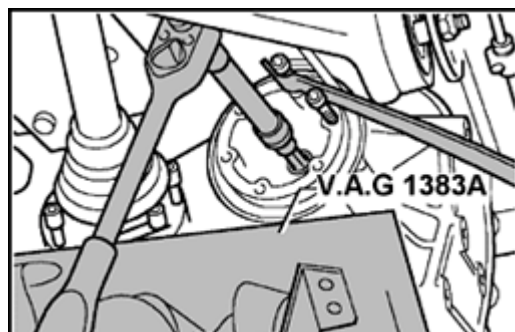
*The exhaust system must only be removed if left seal is replaced.*

- Remove rear part of exhaust system behind clamping sleeve(s):

⇒ *Repair Manual, Engine Mechanical, Repair Group 26; removing and installing exhaust system*

- Remove left or right drive axles from rear final drive and lay to side:

⇒ [Repair Manual, Suspension, Wheels, Steering, Repair Group 42; Component allocation of rear axle \(All Wheel Drive \(AWD\) vehicles\); Drive axle, removing and installing](#)

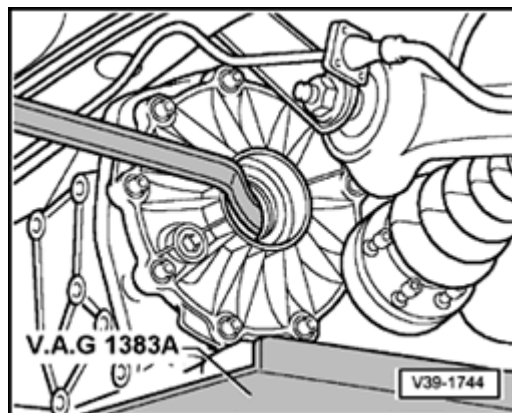


A

- Remove drive flange. To loosen securing bolt, thread 2 bolts into drive flange and counter hold using tire iron.

- Place VAG1306 drip tray underneath and drain gear oil.

- Remove drive flange at installed bolts.

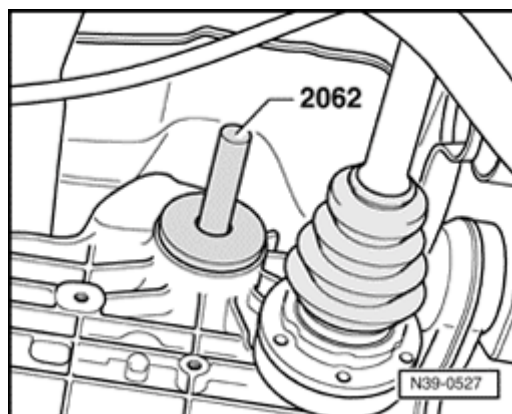


- A** - Pry out drive flange seal using tire iron.

### Installing

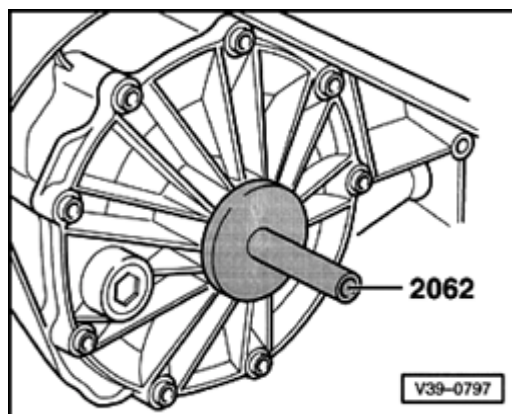
Installation is reverse of removal, noting the following:

- Clean gasket seat.
- Coat outer edge of oil seal with gear oil.
- Fill gap between sealing lip and dust lip with multi-purpose grease.



- A** - Using 2062 driver, press in seal for left drive flange to stop without bending seal.

39-116



A

- Using 2062 driver, press in seal for right drive flange to stop without bending seal.
- Install driveshaft.

⇒ [Repair Manual, Suspension, Wheels, Steering, Repair Group 42; Component allocation of rear axle \(All Wheel Drive \(AWD\) vehicles\); Drive axle, removing and installing](#)

- Install exhaust system free of stress:

⇒ *Repair Manual, Engine Mechanical, Repair Group 26; removing and installing exhaust system*

- Top-up and check gear oil in rear final drive ⇒ [page 39-94](#) .

### Tightening torque

Component	Nm
Drive flange to final drive	25