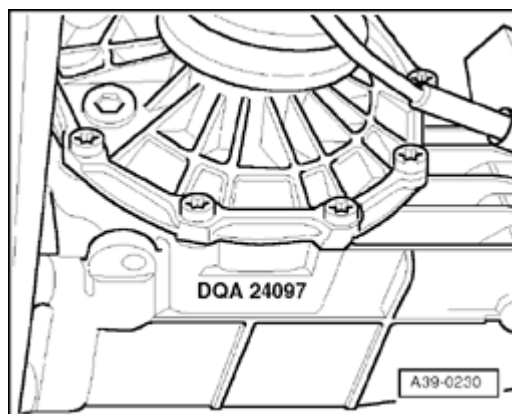


Rear final drive, identification

Final drive 01H is allocated to the all wheel drive automatic transmission 01V.

Allocation ⇒ [page 00-21](#) , technical data.



Code letters and date of manufacture of rear final drive.

Example:	DQA	24	09	7
	Code letters	Day	Month	Year (1997) of manufacture

The code letters of the rear final drive are also listed on the vehicle data plates.

00-21

Code letters, allocation, ratios

Rear final drive			01H.A	01H.B
Final drive	Code letters		DXT	DAK
	Application	from to	01.99 -	10.95 -
Ratio	Final drive	Z2:Z1 = i	35:9 = 3.889	37:9 = 4.111
Drive axle	Flange \emptyset mm		108	100
Allocation: Automatic transmission 01V all road	Code letters		EDF, EMP, FAQ, FHJ	DKB, DTV, EFQ, DRN, ECG, FAL, EKD, FAS, FHH