

46-34

Parking brake cables for all-wheel-drive vehicles, removing and installing

Note:

The parking brake cable adjusting components are in front of the lower rear control arms.

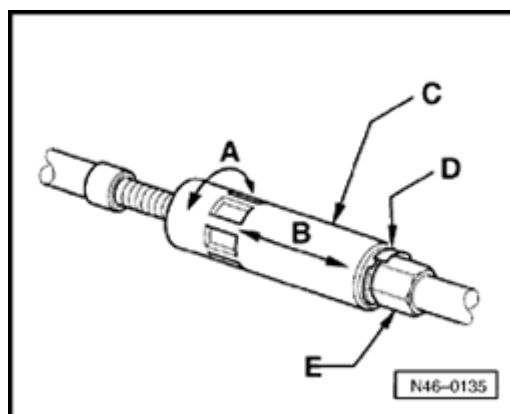
Additional information

Repair Manual, Body-Exterior

Repair Manual, Body-Interior

Removing

- Remove both rear wheels.
- Remove locking element -D-.
- Counter hold hex -E- using 13 mm open end wrench and turn adjusting nut -C- in to stop.
- Slide cable adjuster together (arrow -B-).



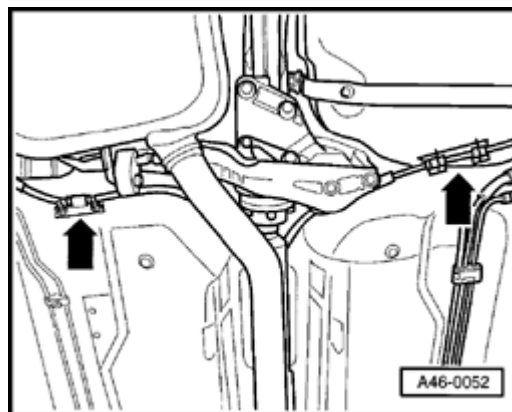


- Pull out locking plate -1-.
- Remove parking brake cables at brake caliper.

Note:

Do not damage the parking brake cable boot when removing and installing.

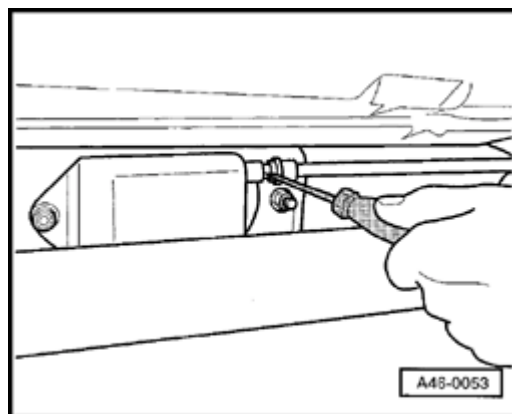
46-35



- A - Remove parking brake cables near underbody and fuel tank (arrows).

Note:

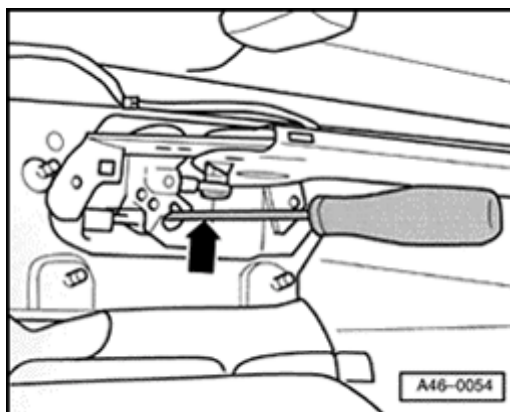
Assembly aid for parking brake cable may drop out. It does not need to be re-installed.



- A - Use screwdriver to pry parking brake cables out of bracket.

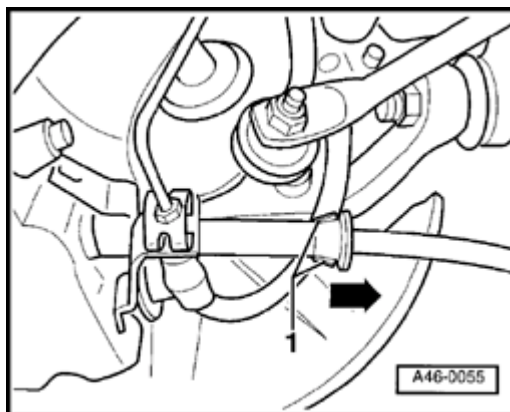
- Remove rear part of center console.

⇒ [Repair Manual, Body-Interior, Repair Group 68](#)



A

- Using screwdriver, push parking brake cables toward parking brake lever and press ball stud out of bracket.

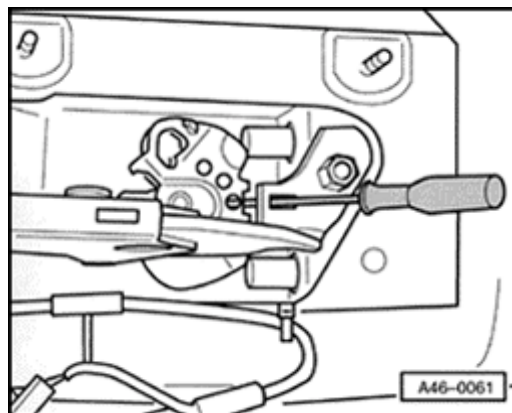


A

- Press guide sleeve locking element -1- together and pull parking brake cables out toward rear in direction of arrow.

Installing

- Guide parking brake cables through lower rear control arm until guide sleeve locks into place.



A

- Remove any plastic parts at adjustment bracket; they do not need to be re-installed.
- Lock adjustment bracket to prevent it from turning (size 2 screwdriver).
- Insert cable ball stud through mounting in adjustment bracket.

Parking brake cable must lock into place in bracket.

- Install parking brake cables at underbody and fuel tank and insert into lever at brake caliper.
- Adjust parking brake ⇒ [page 46-39](#) .
- Install rear part of center console.

⇒ [Repair Manual, Body-Interior, Repair Group 68](#)