

24-58

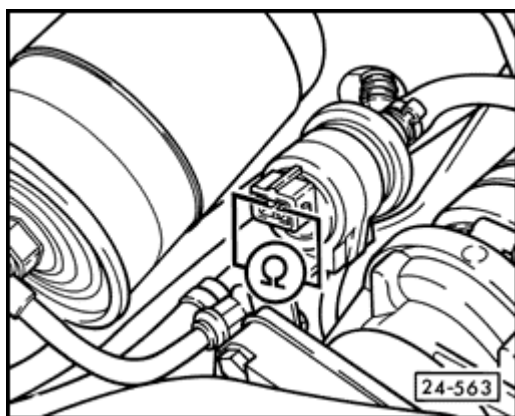
EVAP canister purge regulator valve, checking

Notes:

- ◆ For a functional check of the EVAP canister purge regulator valve duty cycle (triggering) ⇒ Repair Group 01, Read measuring value block, display group 030, display field 3.
- ◆ Component locations ⇒ [page 24-1](#) .

Checking resistance

- Disconnect EVAP canister purge regulator valve harness connector.



A

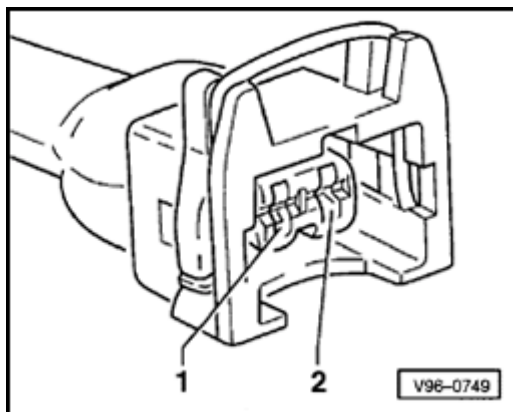
- Measure resistance of EVAP canister purge regulator valve.
Specified value: 20 to 28 Ω

If the specified value is not obtained:

- Replace EVAP canister purge regulator valve.

Checking voltage supply

- Disconnect EVAP canister purge regulator valve harness connector.

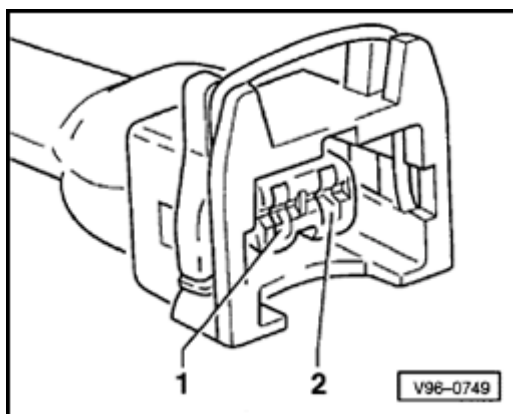


A

- Connect VAG 1527B voltage tester between connector terminal 1 and engine Ground (GND) using jumper wires from connector test kit VW 1594.
- Use scan tool "Output Diagnostic Test Mode" function 03 to trigger fuel pump relay -J17- ⇒ [page 01-145](#) .
 - Voltage tester must light up

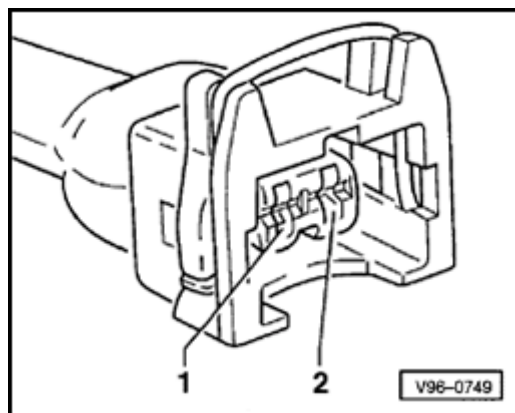
If voltage tester does not light up:

- Check fuse for EVAP canister purge regulator valve.



A

- Check wiring for continuity between EVAP canister purge regulator valve connector terminal 1 and fuse, using wiring diagram.
- Check fuel pump relay and triggering ⇒ [page 24-24](#) .



A

Checking triggering

- Connect voltage tester VAG 1527 between EVAP canister purge regulator valve connector terminals 1 (B+) and 2 using jumper wires from connector test kit VW 1594.
- Use scan tool "Output Diagnostic Test Mode" function 03 to trigger EVAP canister purge regulator valve ⇒ [page 01-145](#) .
- Voltage tester must flash

If voltage tester does not flash or lights up constantly:

- Connect VAG 1598/19 test box to ECM ⇒ [page 01-255](#) .

A

If voltage tester lights up constantly:

- Check wiring between EVAP canister purge regulator valve connector terminal 2 and test box socket E12 (GND).

If voltage tester does not flash:

- Check wiring for continuity between EVAP canister purge regulator valve connector terminal 2 and test box socket E12.
Specified value: max. 1.0 Ω
- If necessary, eliminate short or open circuit in wiring.

If there is neither a break nor a short:

- Replace ECM ⇒ [page 01-265](#) .

