

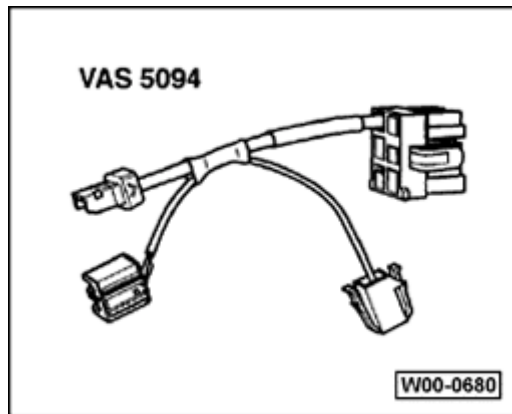
Front seats

Special tools and equipment



VAS 5094 airbag adapter

Connecting ⇒ [page 72-9](#) .



Front seats, removing and installing

WARNING!

Before starting work on seats, connect VAS 5094 airbag adapter ⇒ [page 72-9](#) .

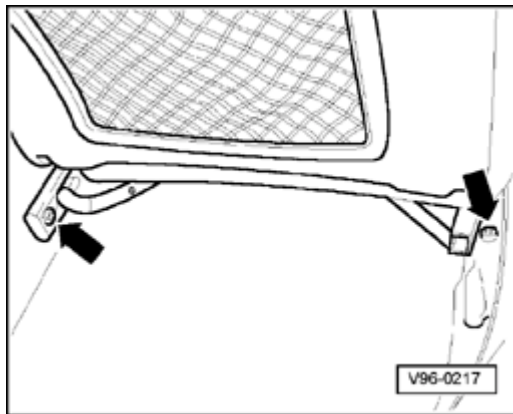
Notes:

- ◆ *Slight changes may have to be made to the removal and installation procedures, depending upon the equipment installed in vehicle.*
- ◆ *For memory and power seats, move seat fully up and back before disconnecting the battery.*
- ◆ *Before disconnecting the battery, determine the radio code.*

WARNING!

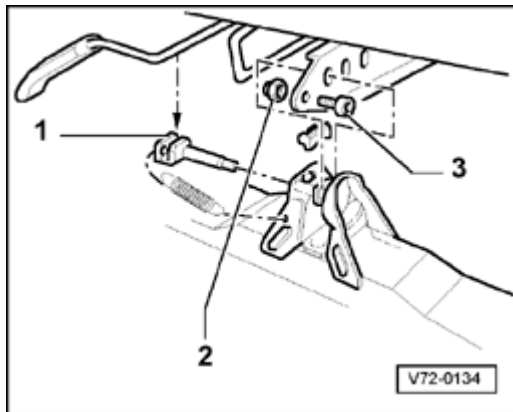
**Before removing seat, disconnect battery
Ground (GND) strap.**

- Push seat forward.



A

- Remove cap (right arrow) and remove Phillips-head screw located under cap.
- Remove screw (left arrow) and remove stopper toward rear.

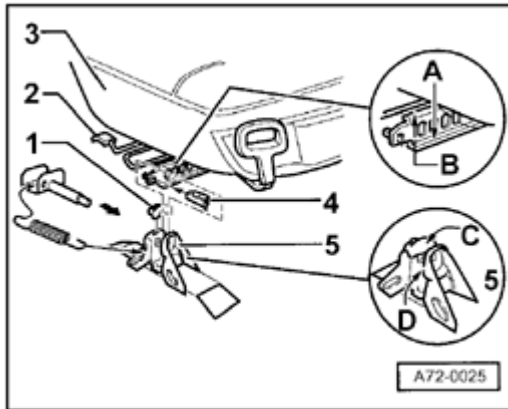


A

- Remove cap nut -2- and socket-head screw -3-.
- Tightening torque: 8 Nm (71 ft lb)
- Release retaining rod -1- and pull seat toward rear out of guide rails.

Note:

The attachment with socket-head screw -3- is replaced by a stop spring as a running change.

**A**

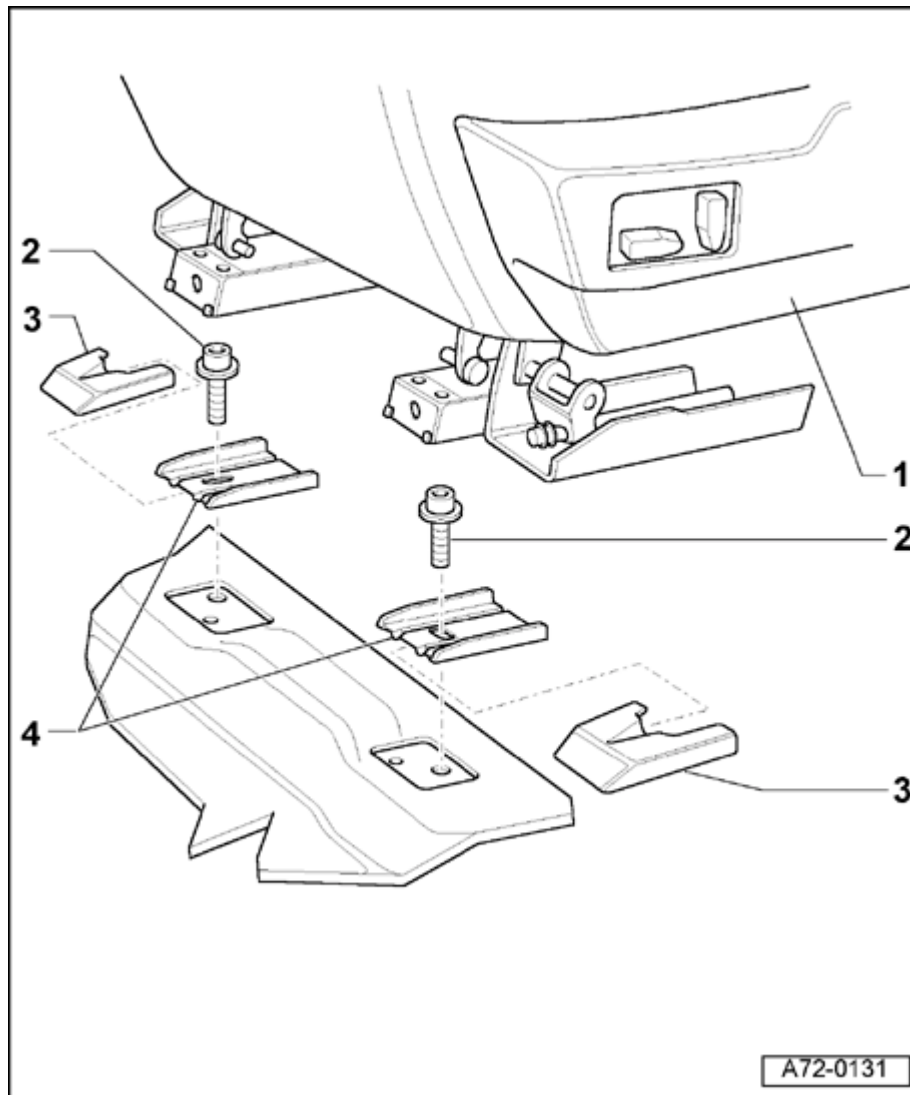
- Unclip stop spring -4-.
- Pull release lever up and push out seat -3- to rear.

Note:

For vehicles with heated seats, disconnect the harness connector.

CAUTION!

When sliding seat out of guide rails, ensure that carpeting is not ripped.



Front power seats, removing and installing

WARNING!

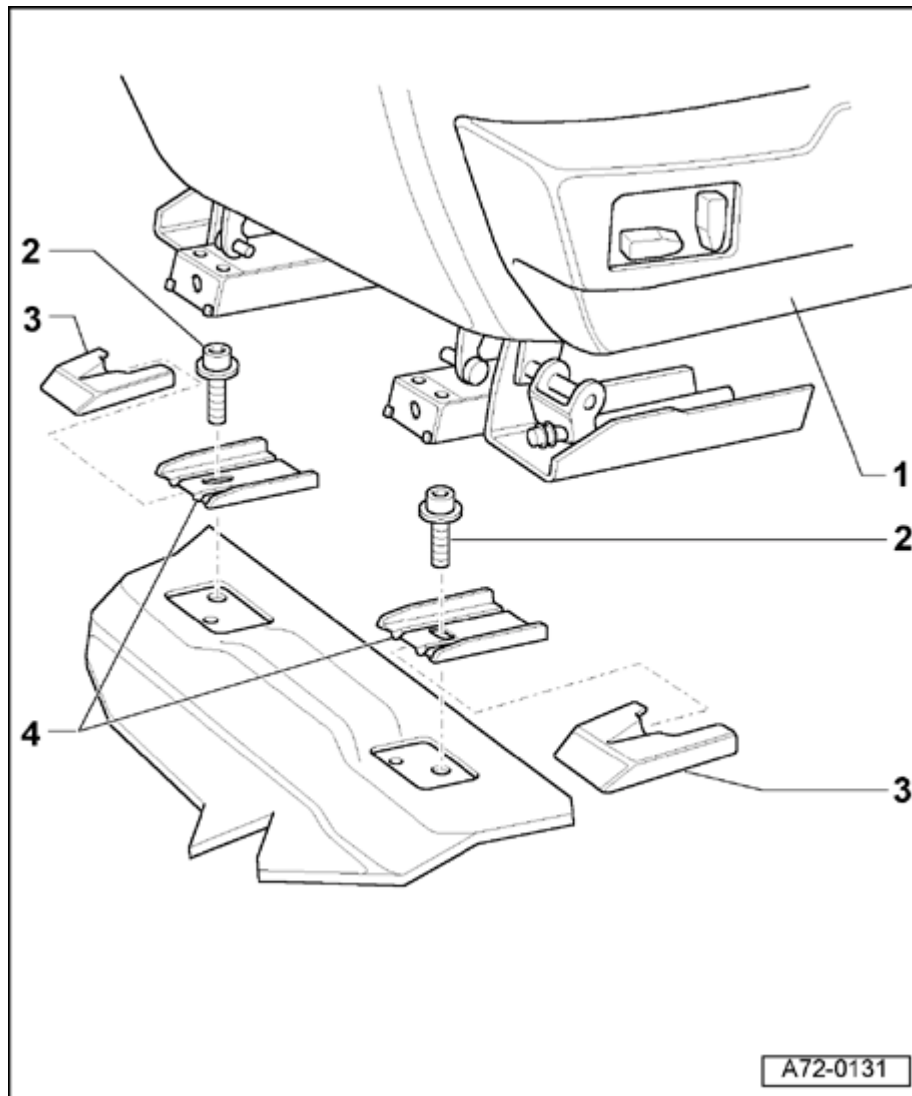
Before starting work on seats, connect VAS 5094 airbag adapter ⇒ [page 72-9](#).

Notes:

- ◆ Slight changes may have to be made to removal and installation procedures, depending upon equipment installed in vehicle.
- ◆ For power seat, move seat fully up and back before disconnecting battery.
- ◆ Before disconnecting battery, determine radio code.

WARNING!

Disconnect battery Ground (GND) strap before removing seat.



1 - Front seat

Removing:

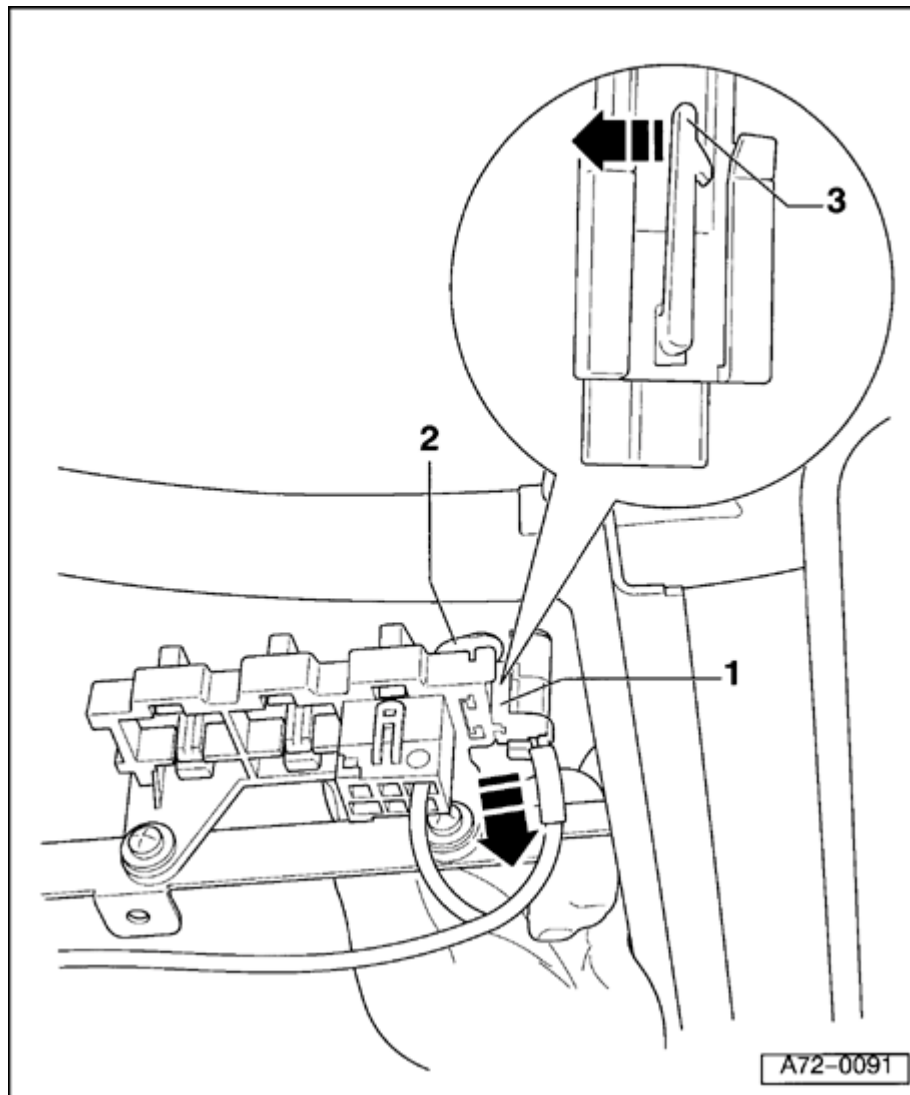
- Remove left and right caps -3- by pushing down, then pulling toward front of vehicle.
- Remove bolts -2-.
- Carefully remove front seat -1- from vehicle.

2 - Bolts

- ◆ 25 Nm (18 ft lb)

3 - Caps

4 - Seat rail



Side airbag harness connector, disconnecting

WARNING!

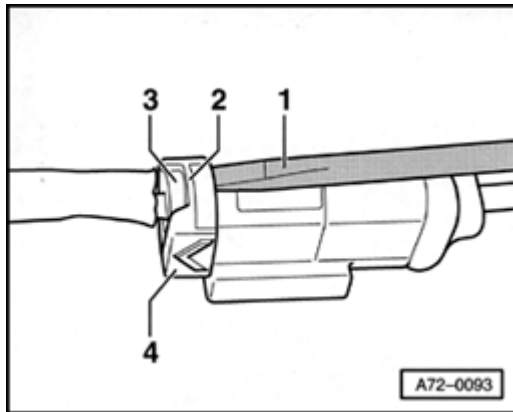
Before starting work on seats, connect VAS 5094 airbag adapter ⇒ [page 72-9](#).

Note:

Technician must be grounded before disconnecting ignition and Ground (GND) wiring; to ensure proper grounding, touch door striker or body.

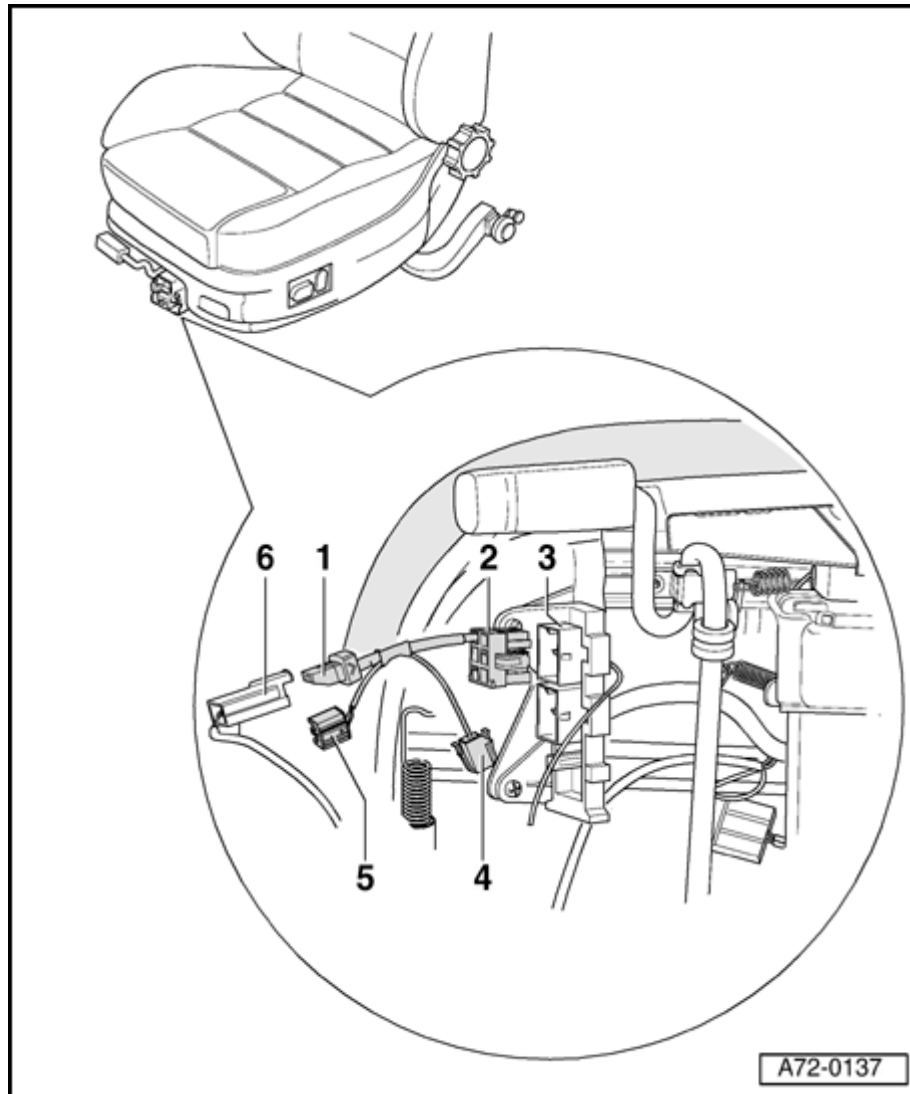
- Grab side airbag harness connector -1- from behind.
- Pull catch -3- with one finger in direction of arrow (toward hand).
- At same time, use same hand to pull side airbag connector -1- forward (in direction of arrow).

72-8



A

- Using screwdriver -1-, push tab -2- over catch -3- and disconnect harness connector -4-.



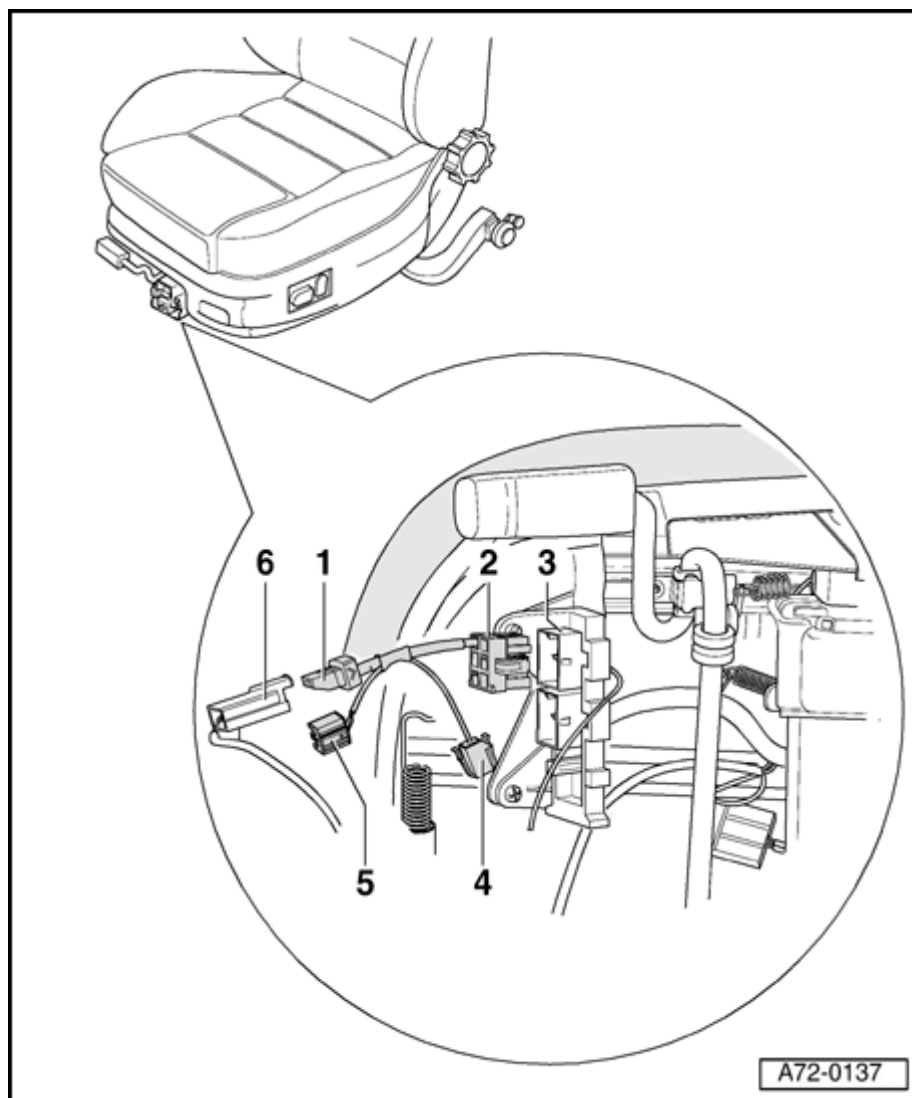
VAS 5094 airbag adapter, connecting

- Insert harness connector -2- ((VAS 5094 airbag adapter) into connector housing -3-.
- Connect igniter wire -6- from airbag module (on seat frame) to harness connector -1- (airbag adapter).
- For seats with seat heaters, disconnect harness connector.
- Turn down carpet in area near guide rail.
- Push seat back out of guide rail.
- Lift seat out of vehicle.

WARNING!

Leave VAS 5094 airbag adapter on seat until seat is again installed in vehicle.

72-10



1 - Airbag adapter-igniter wire harness connector

2 - Airbag adapter - Ground wire harness connector

◆ Audi A6, 1998 ➤

◆ Audi A4, 1995 ➤

◆ Audi A3, 1997 ➤

3 - Ground wire harness connector from airbag module

4 - Airbag adapter - Ground wire harness connector

◆ Golf, 1991 ➤

5 - Airbag adapter - Ground wire harness connector

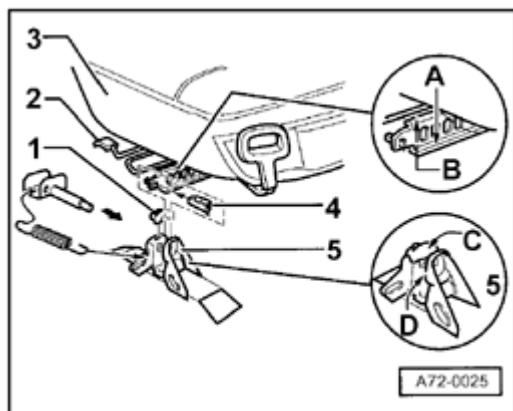
◆ Passat, 1997 ➤

6 - Airbag module igniter wire harness connector

◆ From airbag module on seat frame

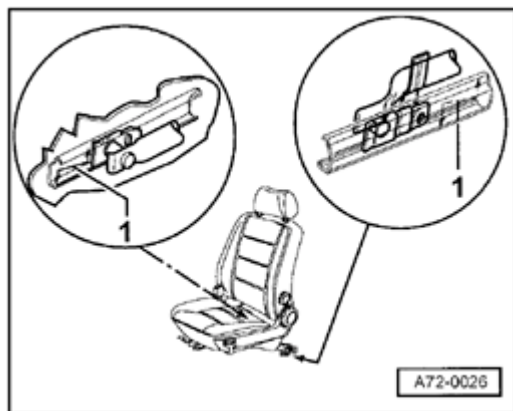
72-11

Front seat lubrication locations



A

- Lubricate lubrication positions -A-, -B-, -C-, and -D- using G 052 745 A3 universal low temperature grease.



A

- Lubricate seat guide rails at locations -1- and at side using thin layer of G 052 745 A3 universal low temperature grease.

Notes:

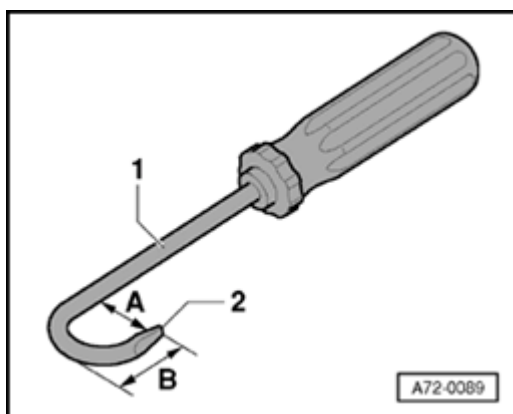
- ◆ *When lubricating, make sure no grease gets on the carpet or seats.*
- ◆ *Only apply a thin layer of grease.*

Backrest, removing and installing

WARNING!

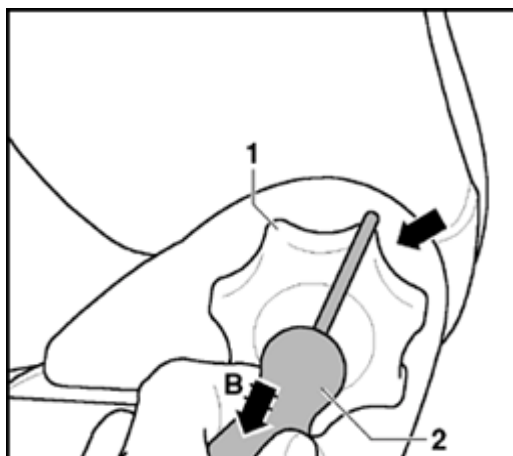
Before starting work on seats, connect VAS 5094 airbag adapter ⇒ [page 72-9](#) .

Fabricating removal tool:



A

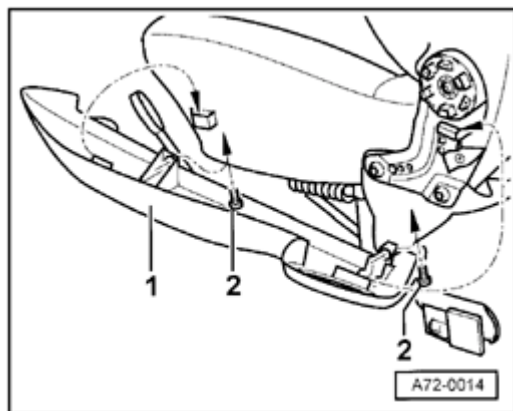
- Bend screwdriver -1- with width -2- (3.5 mm) and dimensions -A- (20 mm) and -B- (max. 15 mm).
- Remove seat ⇒ [page 72-2](#) .



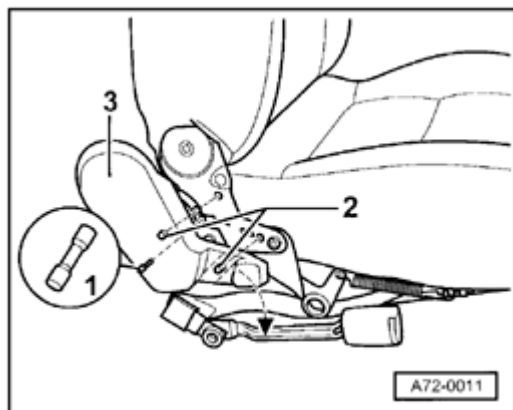
A

- Turn adjusting wheel -1- from behind until you can see one of the adjusting wheel catches (direction of arrow A). If necessary, use flashlight.
- Attach removal tool -2- and pull in direction of arrow -B-.
- Turn adjusting wheel an additional 120° .
- Attach removal tool -2- and pull in direction of arrow B.
- Remove adjusting wheel.

72-13

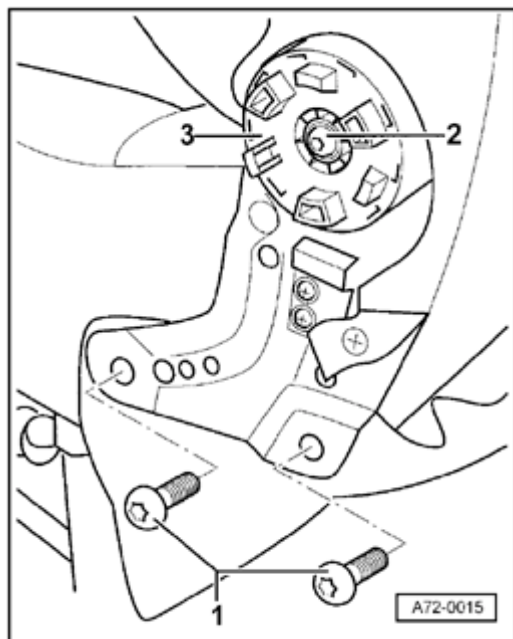


- A**
- Remove bolts -2- (2x).
 - Pull bottom of trim piece -1- out slightly and detach upward out of front and rear brackets.



- A**
- Move belt buckle forward.
 - Push through pins -2- (2x) toward inside.
 - Push pin -1- in to first detent.
 - Remove trim piece -3-.

72-14



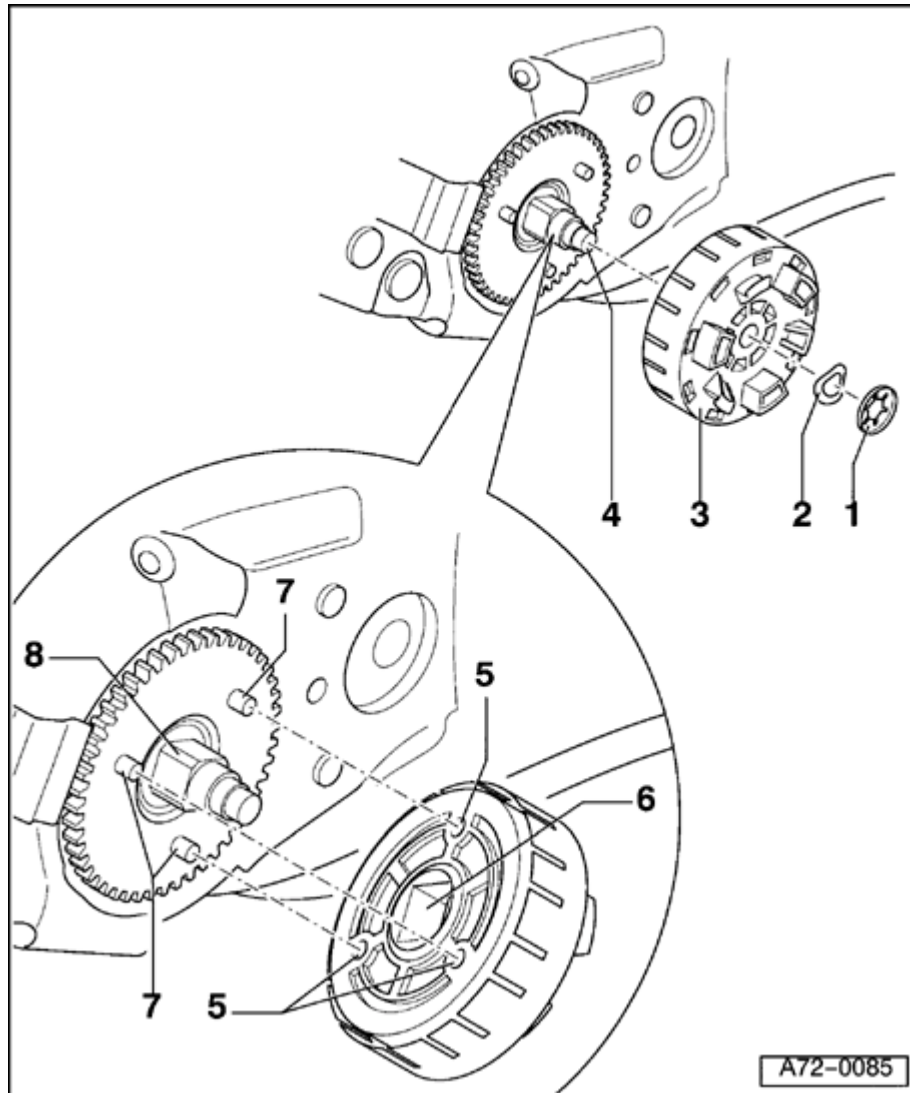
- For vehicles with seat heaters, disconnect harness connector under seat and detach from brackets.

A

- Remove bolts -1- (4x).
Tightening torque: 23 Nm (17 ft lb)
- Lift off backrest.

Note:

It is not necessary to remove brake wheel -3- because it is part of the backrest frame.



Brake element for backrest adjustment, removing and installing

WARNING!

Before starting work on seats, connect VAS 5094 airbag adapter ⇒ [page 72-9](#) .

- 1 - Spring washer**
- 2 - Locking washer**
- 3 - Brake element**

Removing:

- Remove seat ⇒ [page 72-2](#) .
- Remove side seat trim panels ⇒ [page 72-17](#) .
- Using screwdriver, remove spring washer -1-.
- Remove brake element -3- together with locking washer -2- from groove -4-.

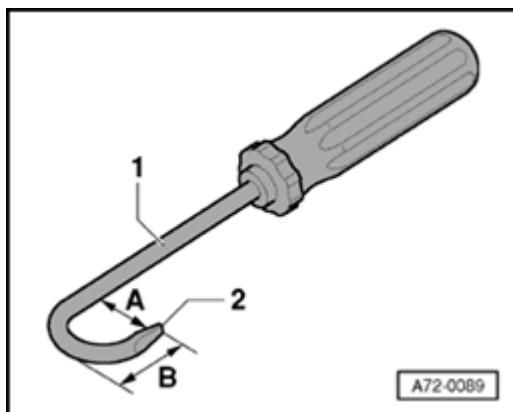
Installing:

- When installing, insert catches -7- in mounting -5-, and square -8- in square mounting -6-.
- Tap on new spring washer -1- using socket.

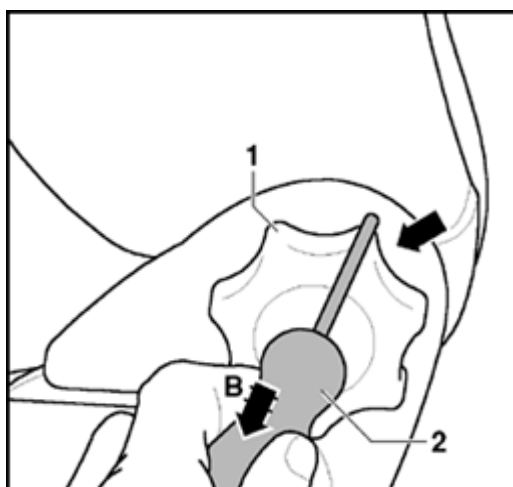
Side seat trim panels, removing and installing

WARNING!

Before starting work on seats, connect VAS 5094 airbag adapter ⇒ [page 72-9](#) .

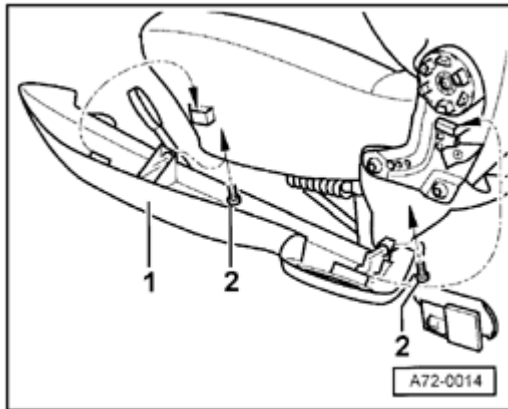


- A**
- Fabricating removal tool: Bend screwdriver -1- with width -2- (3.5 mm) and dimensions -A- (20 mm) and -B- (max. 15 mm).
 - Remove seat ⇒ [page 72-2](#) .



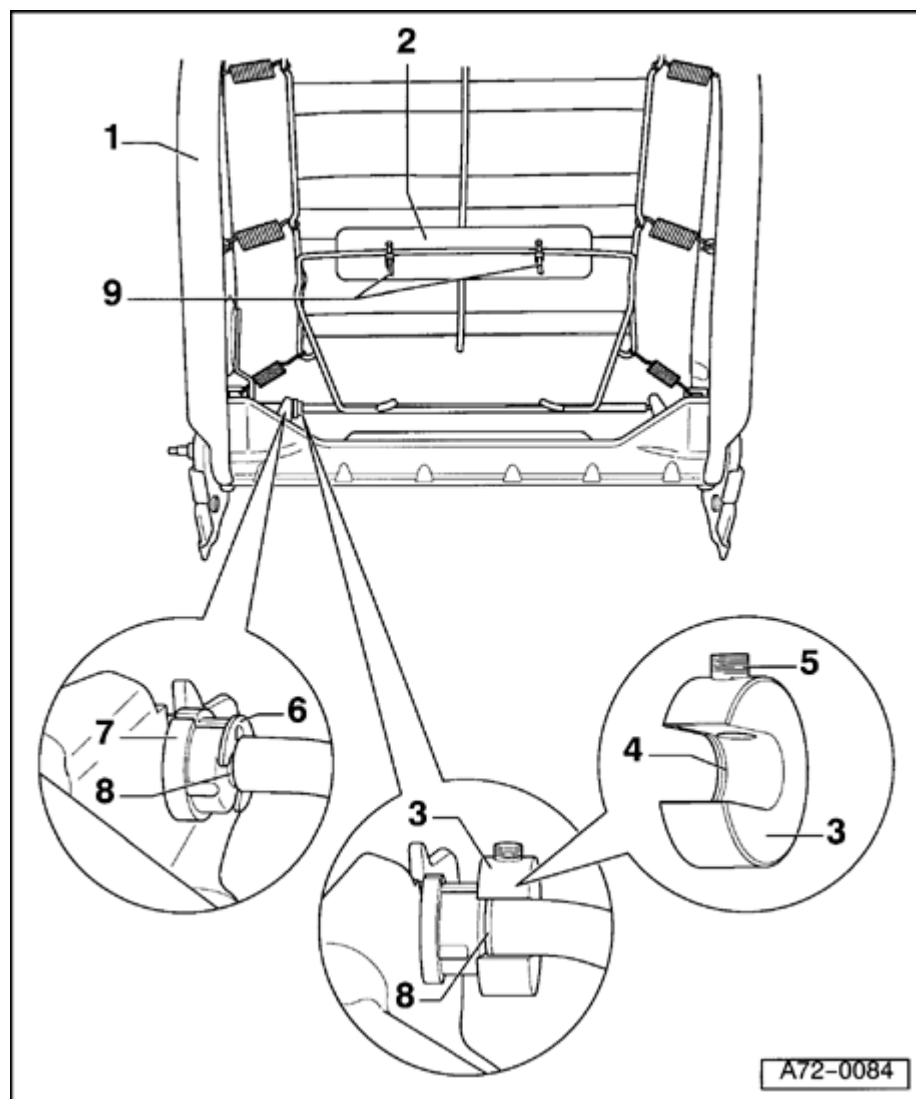
- A**
- Turn adjusting wheel -1- from behind until you can see one of the adjusting wheel catches (direction of arrow -A-). If necessary, use flashlight.
 - Attach removal tool -2- and pull in direction of arrow -B-.
 - Turn adjusting wheel an additional 120° .
 - Attach removal tool -2- and pull in direction of arrow -B-.
 - Remove adjusting wheel.

72-18



A

- Remove bolts -2- (2x).
- Pull bottom of trim piece -1- out slightly and detach upward out of front and rear brackets.



Changing lumbar support and retrofitting plastic insert

Notes:

- ◆ If the lumbar shaft is defective, the circlip can be replaced by a grip support.
- ◆ A plastic insert can be installed by pressing the lumbar support through the upholstery.

1 - Backrest frame

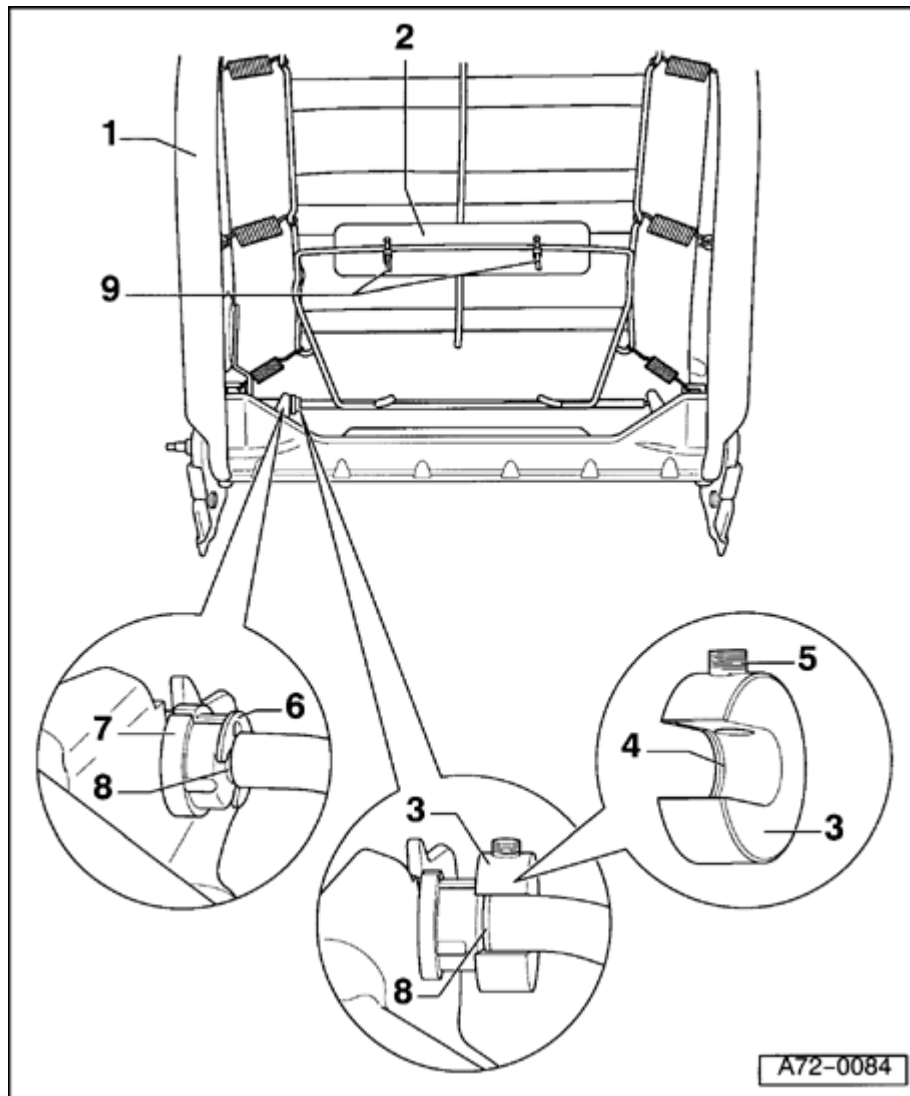
2 - Plastic insert

- Remove backrest cover ⇒ [page 74-1](#) .
- Slide plastic insert between lumbar support and spring wire.
- Secure plastic insert using two tie wraps.

3 - Grip support

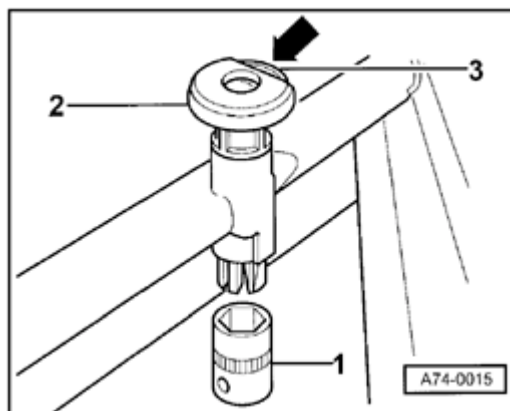
- Remove backrest cover ⇒ [page 74-1](#) .
- Remove circlip -6-.
- Push bearing sleeve toward outside and install grip support -3- together with retaining flange -4- into groove -8-.
- Install set screw.

72-20

**4 - Retaining flange****5 - Set screw****6 - Circlip****7 - Bearing sleeve****8 - Groove****9 - Tie wraps (2x)**

Headrest, removing and installing

Backrest is shown without cover and padding in illustration.

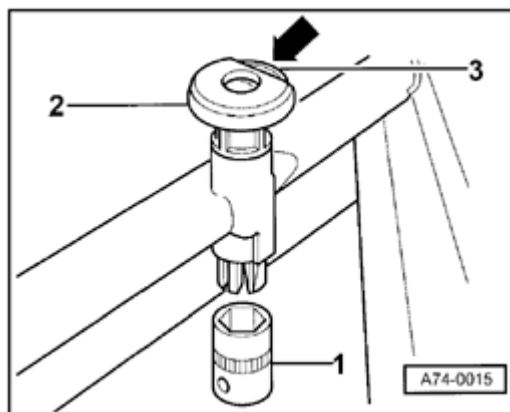


A

- Push button -3- in direction of arrow and pull headrest up and off.

Headrest guides, removing and installing (through m.y. 1999)

- ◆ Backrest cover, removing and installing ⇒ [page 74-1](#).

**A**

- Using 17mm socket, push headrest guide up and out.
- When installing headrest guide, ensure guide lugs are positioned correctly. Side of guide lugs always face toward outside.
- Headrest guide with button -3- is only located on one side of backrest.

Headrest guides, removing and installing (from m.y. 2000)

- ◆ Backrest cover, removing and installing ⇒ [page 74-1](#).

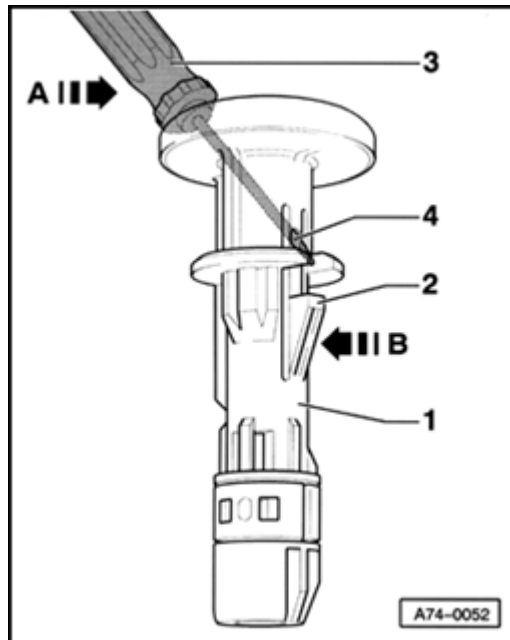
**A**

Fig. 1 Removing head restraint guides

For greater clarity, head restraint guide -1- is shown removed.

- Insert upholstery needle or screwdriver -3- with maximum width of 2 mm into hole -4- (opposite retaining clip for head restraint guide).
- Pry screwdriver -3- in direction of arrow -A-, press retainer tab -2- in direction of arrow -B- and pull out head restraint guide -1-.