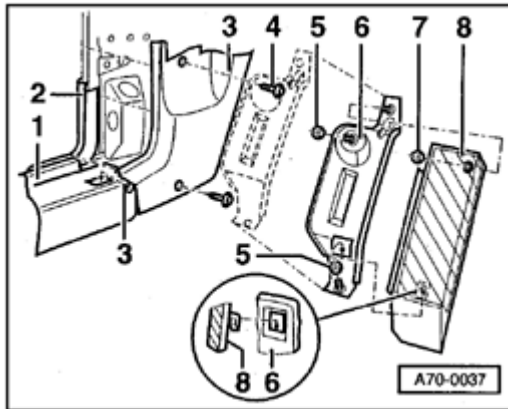


70-72

Trim (general)

Lower A-pillar trim, removing and installing



- To remove, remove A-pillar bolts 4 (2x).
Tightening torque: 1.5 Nm (13 in. lb)
- Remove door seal -2- in area of A-pillar trim.
- Pull A-pillar trim -3- from door sill molding -1-.

Foot rest and foot rest support bracket, removing and installing

Removing foot rest

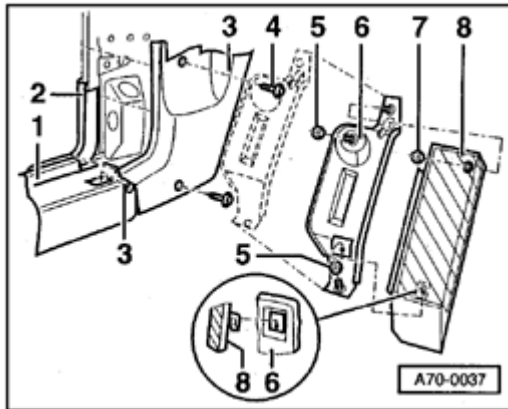
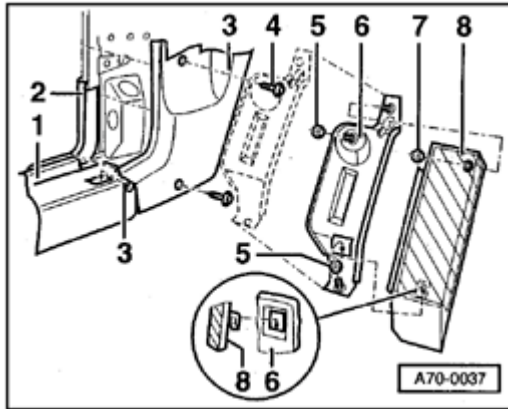
A

- Remove lower A-pillar trim ⇒ [page 70-72](#) .
- To remove foot rest -8-, remove nuts -7- and pull up and out of bracket -6-.

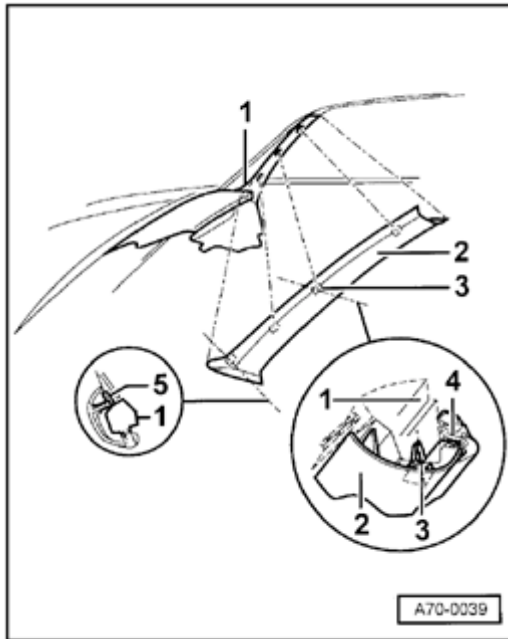
Removing foot rest support bracket

A

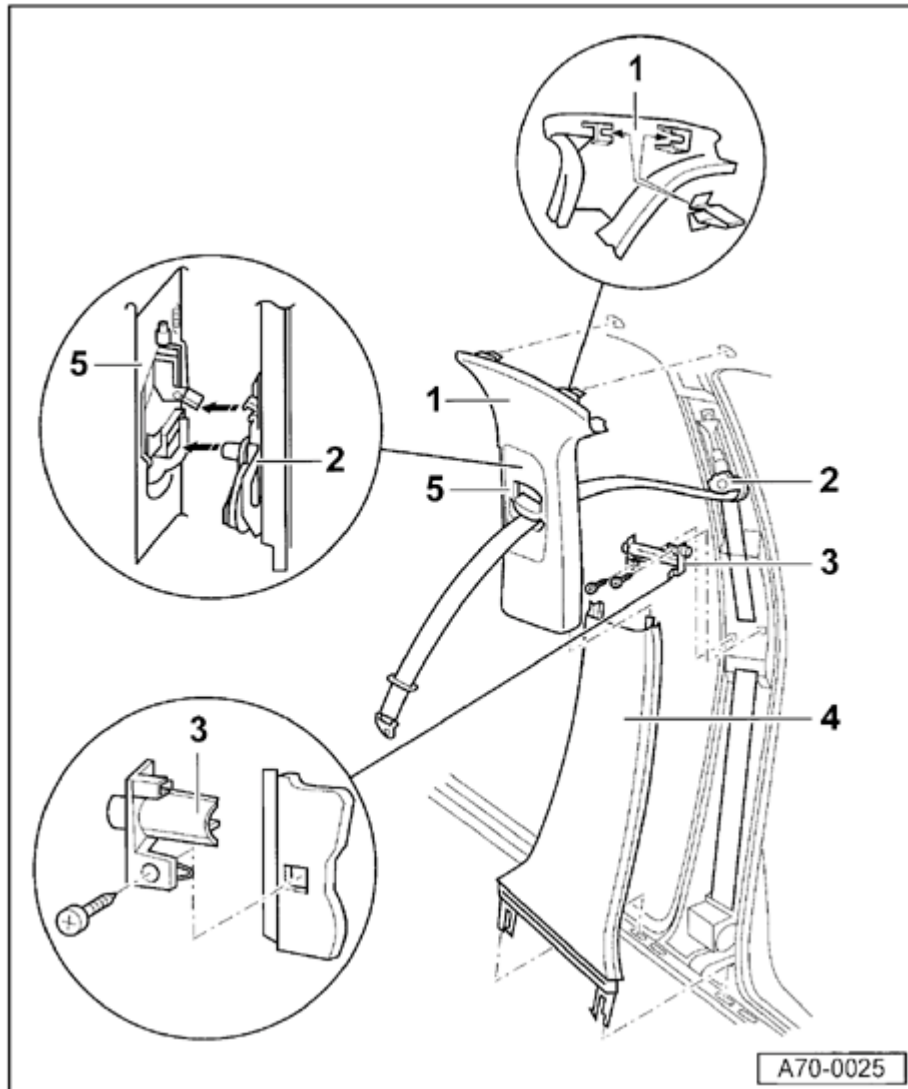
- Remove foot rest.
- Pull up floor mat in area near bracket for foot rest.
- To remove bracket -6-, remove nuts -5- (2x).



Upper A-pillar trim, removing and installing

**A**

- Unclip retaining clips -3- from top to bottom from A-pillar trim -2-.
- Door seal -4- must lie on top of A-pillar trim -2- as shown in magnified area.
- Insert lower A-pillar trim in retaining clips -5-.



B-pillar trim, removing and installing

1 - Upper B-pillar trim

Removing:

- Unclip upper B-pillar trim -1- ⇒ [Fig 2](#) .
- Pull B-pillar trim -1- upward out of B-pillar trim -4-.
- Disconnect three-point seat belt at door sill ⇒ [page 69-13](#) .
- Remove three-point seat belt from B-pillar trim -1-.

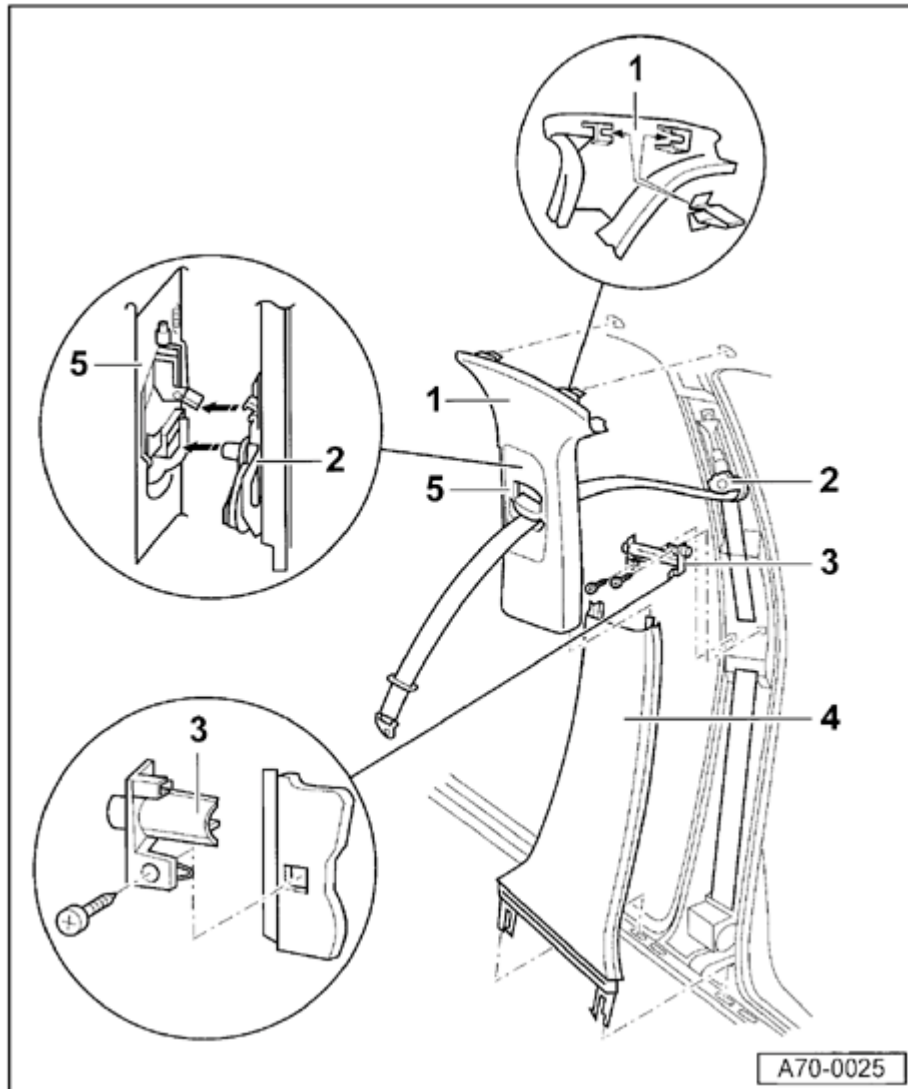
Installing:

- Insert B-pillar trim -1- into B-pillar trim -4- .

Note:

Do not press button when installing.

- Install upper B-pillar trim.
- Insert seat belt guide -5- into seat belt height adjuster ⇒ [Fig 1](#) .

**Notes:**

Function check after installing trim:

- ◆ *Height adjuster must audibly engage into all five of the possible positions (even in the top position).*
- ◆ *Switch must return by itself to released position after being actuated.*

2 - Anti-twist stop**3 - Belt guide****4 - Lower B-pillar trim**

Removing:

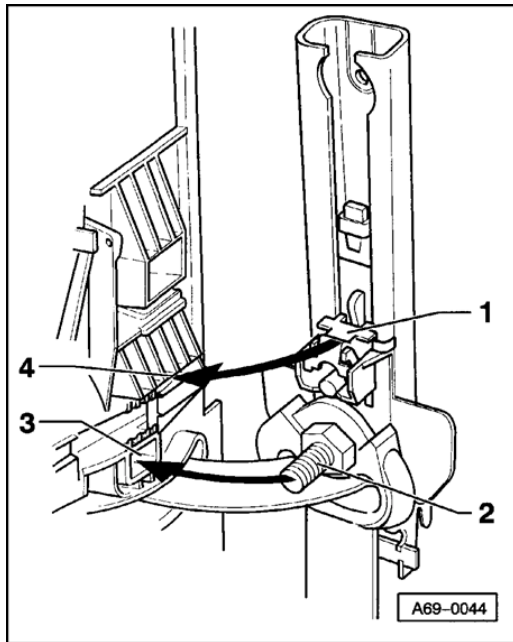
- Remove upper B-pillar trim -1- (do not detach three-point seat belt).
- Push back retaining tabs (2x) for B-pillar trim at door sill.
- Remove trim -4- upward and detach from belt guide -3-.

Installing:

- ◆ Installation is the reverse of removal

5 - Seat belt height adjuster trim

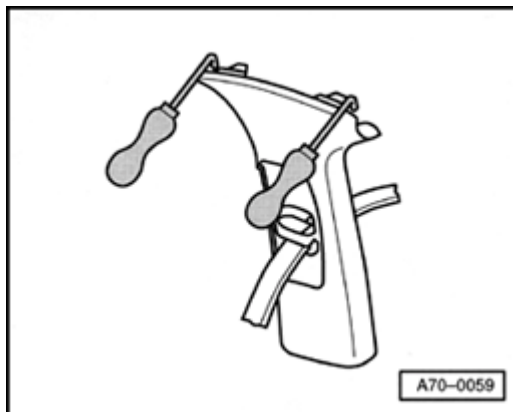
70-77



A

Fig. 1 Installing upper B-pillar trim in belt height adjuster

- Guide slide with button -4- (without pressing) beginning at top and working downward into release lever -1- of height adjuster, while simultaneously installing pin -2- into mounting -3-.



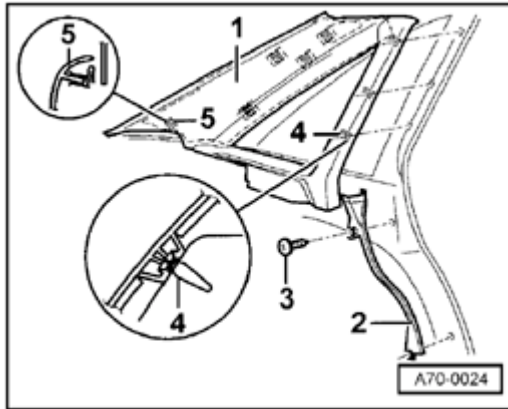
A

Fig. 2 Removing B-pillar trim

- To make removal easier, use two assembly hooks -2-.
- Install assembly hooks near retaining clips.

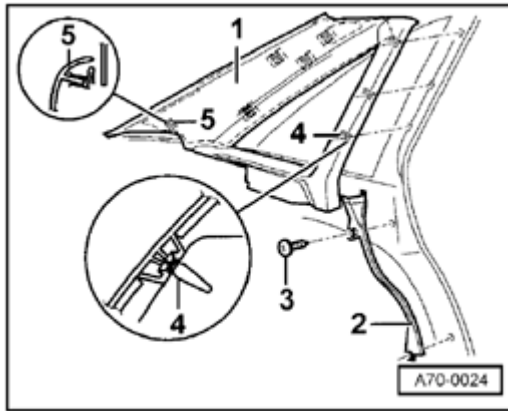
C/D-pillar trim, removing and installing

- Remove rear seatback.
- Detach trim -1- from top to bottom out of clips -4- (7x).
- Remove trim -1- upward and out of bracket -5-.

**A**

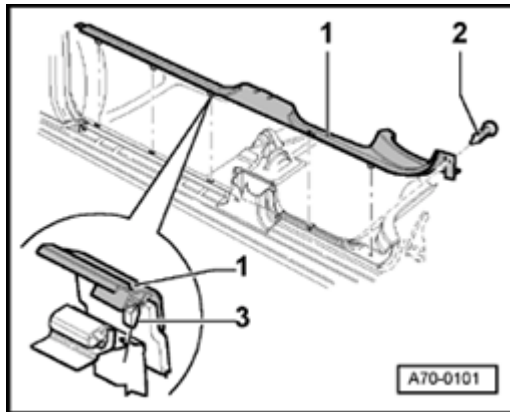
Lower C-pillar trim, removing and installing

- Remove rear seatback.
- Remove bolt -3-.
Tightening torque: 1.5 Nm (13 in. lb)
- Remove trim -2-.



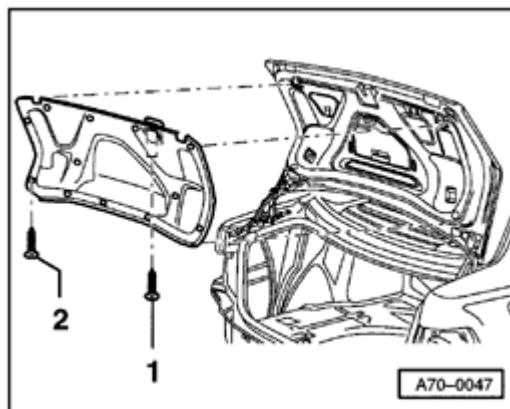
Door sill, removing and installing

- Remove lower A-pillar trim.
- Remove metal screw -2-.
- Remove door sill -1- upward together with clips -3-.

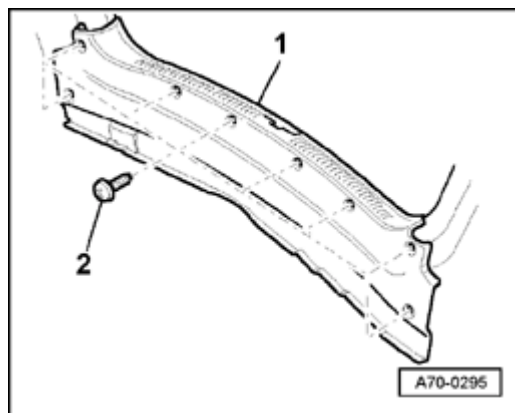


Trunk lid trim, removing and installing

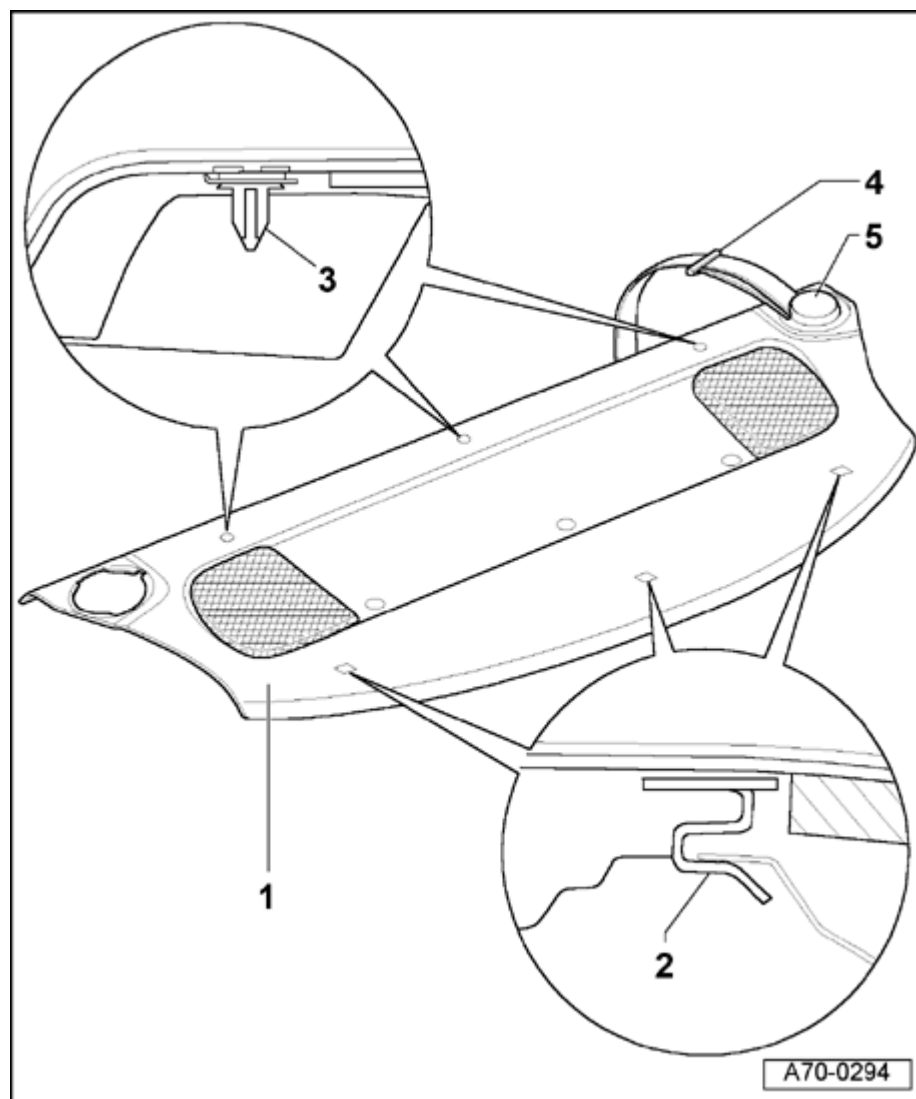
- Remove warning triangle.
- Remove bolts -1- (2x).
- Remove bolts -2- (12x) (match trim color) and remove trim.



Rear panel trim, removing and installing



- Remove bolt -2- (8x).
Tightening torque: 2 Nm (18 in. lb)
- Remove rear panel trim -1- up and out.



Rear shelf (Sedan), removing and installing

1 - Rear shelf

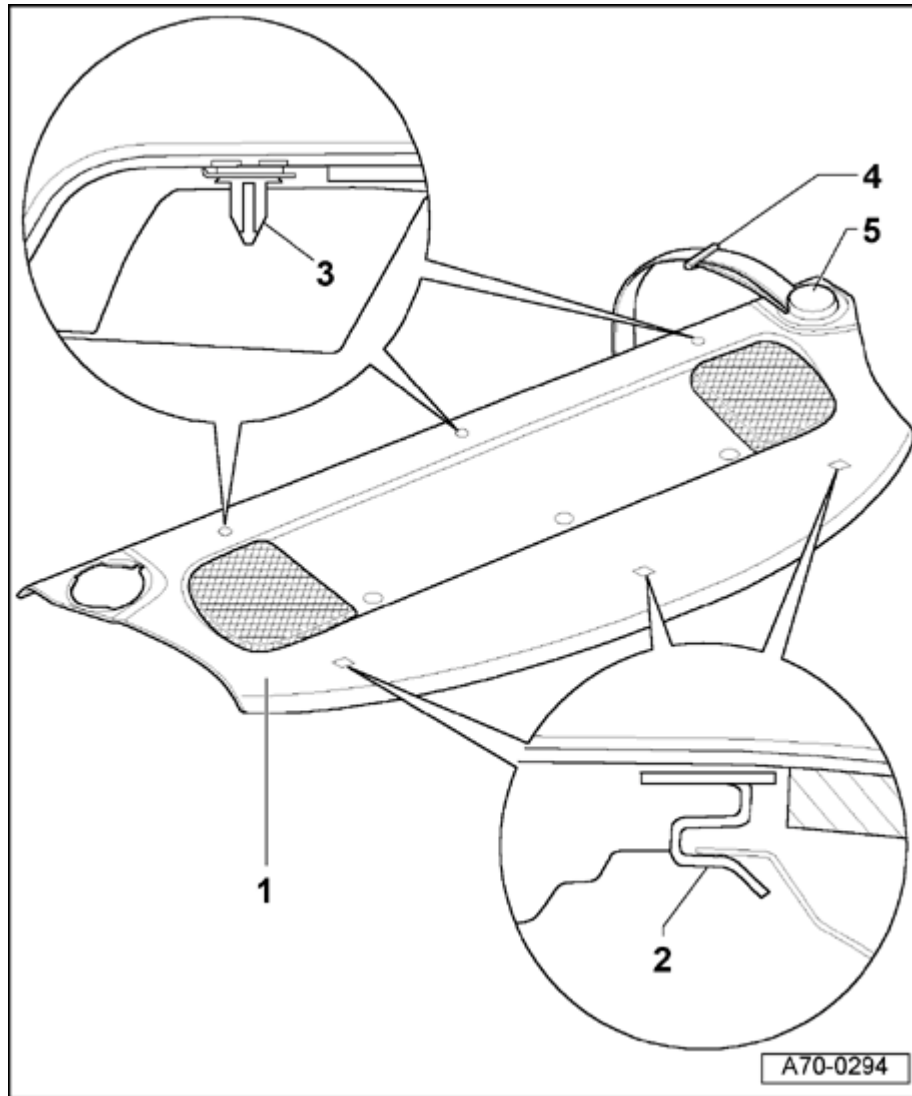
Removing:

- Remove left and right-rear lower seat belt mounting ⇒ [page 69-15](#) .
- Remove left and right-rear side cover ⇒ [page 72-75](#) .
- Unclip cover -5- and guide -4- of left and right-rear three-point seat belts ⇒ [page 70-85](#) .
- For vehicles with third brake light, disconnect harness connector to third brake light in trunk.
- Unclip clips -3- (3x) by carefully lifting rear shelf.
- Pull rear shelf forward and remove.

Installing:

- When installing, slide rear shelf -1- in while pressing down slightly until clips -3- (3x) engage.
- Engage clips -3- (3x).

◆ Rest of installation is reverse of removal



2 - Clips (3x)

3 - Clips (3x)

4 - Guide

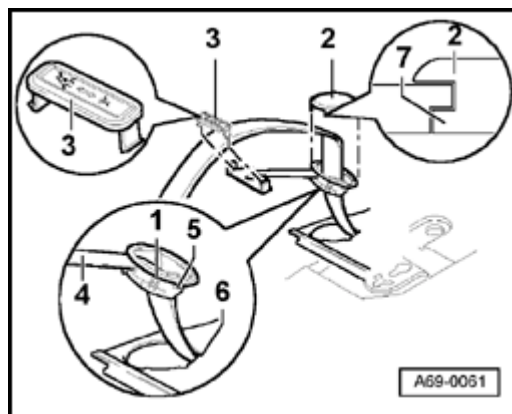
5 - Cover

Rear belt adjuster, removing and installing

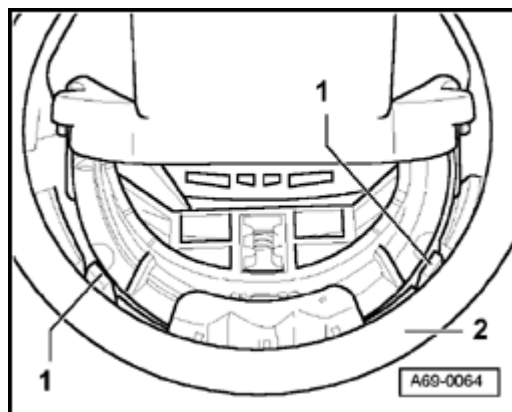
Removing

Note:

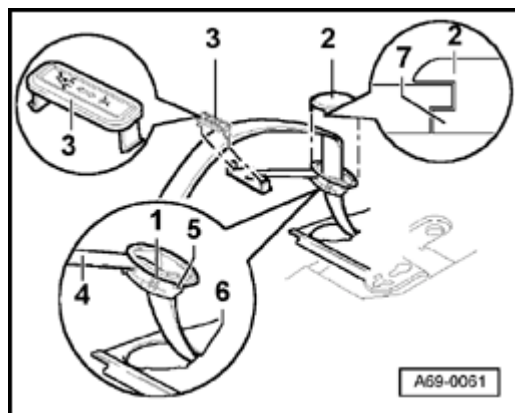
It is not necessary to remove the rear shelf when removing the rear belt adjuster.



- A**
- Undo lower anchoring point of rear three-point seat belt.
Tightening torque: 50 Nm (37 ft lb)
 - Unclip belt guide cover -3-.
 - Detach belt adjuster cover -2- at left and right of retaining tab -7-.
 - Swing belt adjuster -4- with belt webbing upward.



- A**
- Use screwdriver to press retaining tab -1- (2x) inward while simultaneously pulling up on belt adjuster -2-.
 - Pull belt webbing through belt adjuster -2-.



Installing

A

- Make sure retaining tabs -1- (2x) fully engage.
 - Make sure rear lug engages in notch -6-.
- Adjustment locking device -5- must point toward center of vehicle.

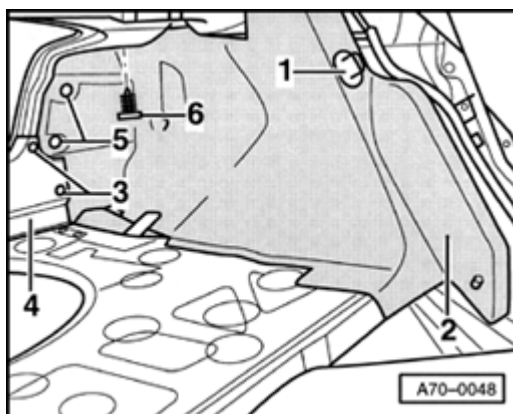
Left and right-side trunk trim, removing and installing

Foldable rear backrest

- Remove side cover ⇒ [page 72-75](#) .

Split-foldable rear seat, removing and installing
⇒ [page 72-60](#)

- Remove on-board tool kit and jack.



A

- Remove cover -1- for latch bracket and remove trim -2-.
- Remove plastic clips -5- (2x) at tail light.
- Remove screws -3- for loading edge cover -4-.
- Tightening torque: 1.5 Nm (13 in. lb)
- Unclip clip -6- at left side reinforcement.
- Raise loading edge trim -4- slightly and pull out trim -2-.
- Tilt trim toward center of vehicle and remove.