

Front door trim

Component locations, overview

1 - Door trim

- ◆ Removing ⇒ [page 70-3](#)

2 - Outer connecting piece

3 - Outer filler piece

4 - Power window switch insert

- ◆ Driver-side ⇒ [page 70-9](#)
- ◆ Passenger-side ⇒ [page 70-10](#)

5 - Speaker (tweeter)

- ◆ Removing ⇒ [page 70-17](#)

6 - Speaker (woofer)

- ◆ Removing ⇒ [page 70-16](#)

7 - Interior door handle

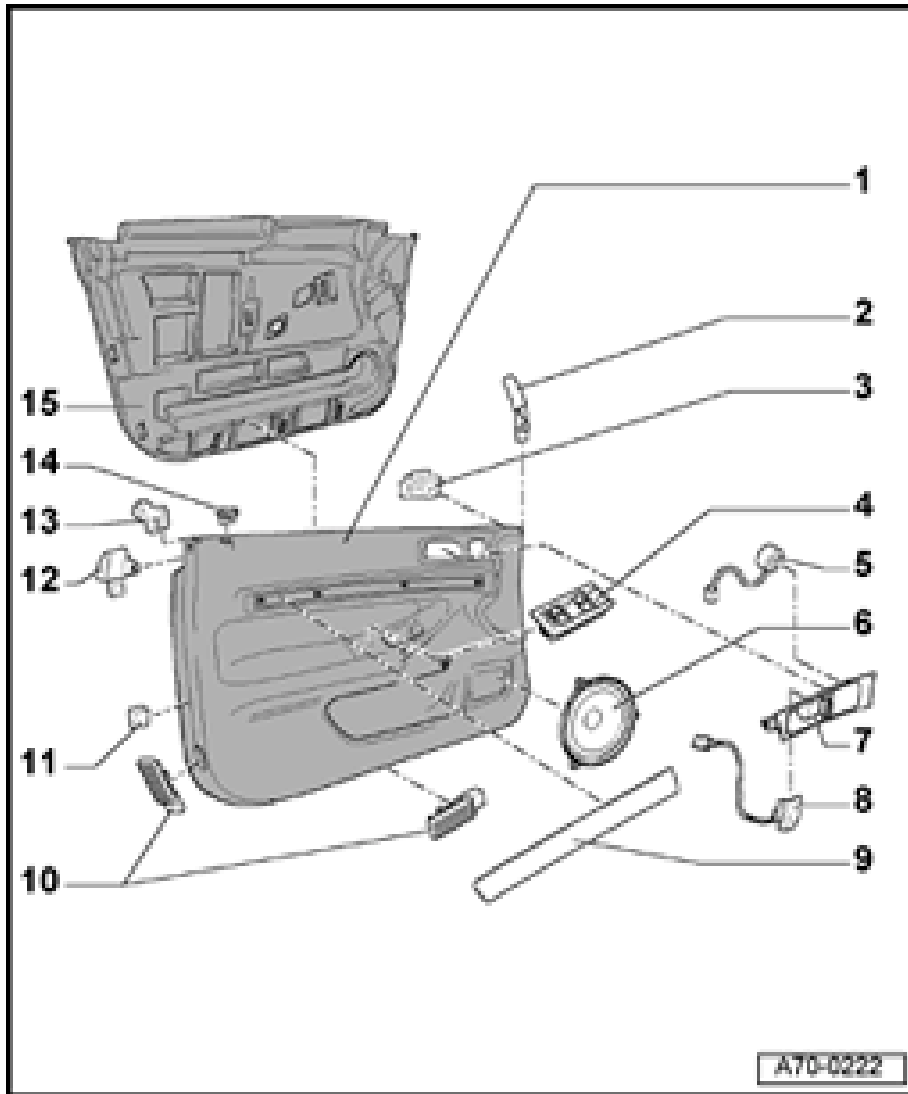
- ◆ Removing ⇒ [page 70-19](#)

8 - Central door locking switch

- ◆ Driver-side only
- ◆ Removing ⇒ [page 70-15](#)

9 - Trim

- ◆ Removing ⇒ [page 70-18](#)

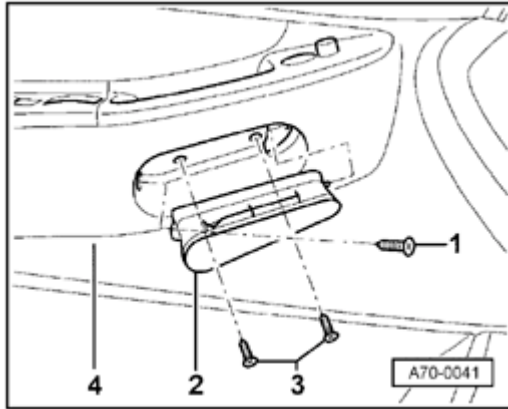
**10 - Door warning and footwell lights**

◆ Removing and installing ⇒ [page 70-33](#)

11 - Detent notch base**12 - Inner connecting piece****13 - Inner filler piece****14 - Door knob guide****15 - Front door trim insulation**

◆ Removing and installing ⇒ [page 70-5](#)

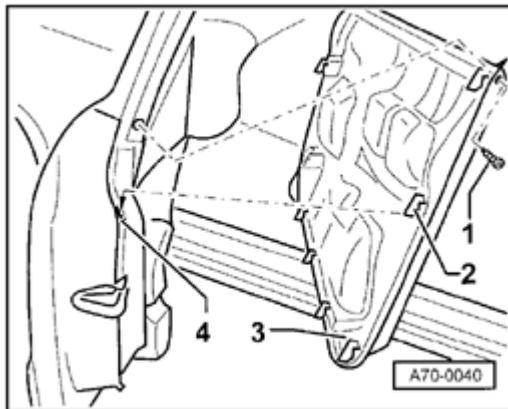
Front door trim, removing and installing



A

- Remove bolt -1-.
- Tightening torque: 1.5 Nm (13 in. lb)
- Pull handle shell -2- downward out of door trim -4-.
- Remove bolts -3- (2x).
- Tightening torque: 2.5 Nm (22 in. lb)

Vehicles with manual window crank ⇒ [page 70-6](#) .

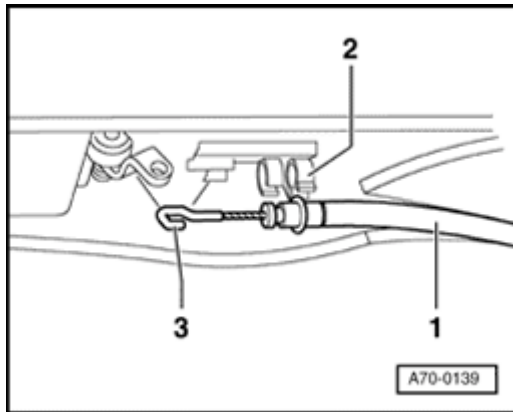


A

- Remove bolts -1- (2x).
- Tightening torque: 1.5 Nm (13 in. lb)
- Lift door trim -3- up and out of door shell.
- To install, bases -4- for detent notches -2- (7x) must be installed.

Note:

The Bowden cable for the inside door mechanism and the electrical harness connectors are not disconnected until after removing door trim -3-.

**A**

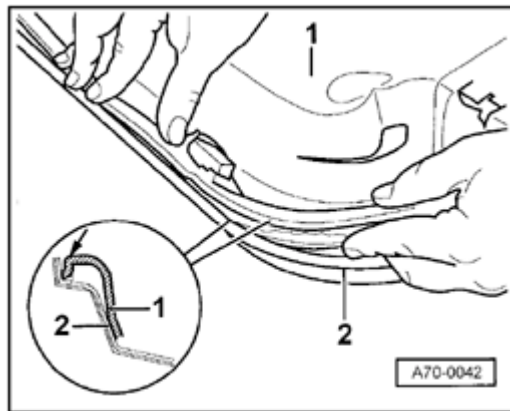
- Pull Bowden cable -1- out of guide -2- and remove.

Note:

When installing make sure that hook -3- faces upward.

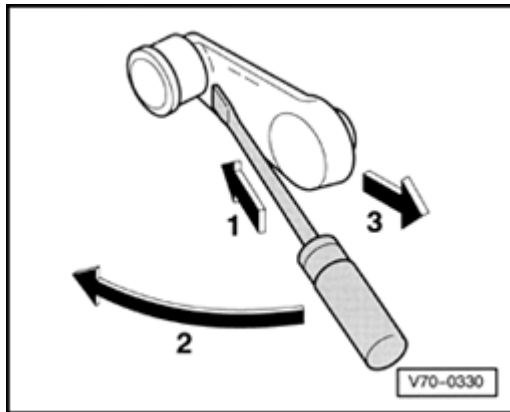
- Disconnect electrical harness connectors.

Front door trim insulation, removing and installing

**A**

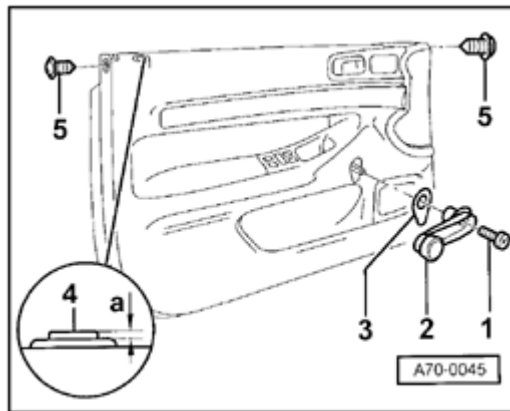
- Insulation -1- must be inserted into door trim -2- all around.
- When removing or installing insulation -1-, ensure that insulation is not damaged when installing it over retaining tabs or electrical harness connectors.

Front manual window cranks, removing and installing



A

- Press in flat side of flat-head screwdriver in direction of arrow -1-.
- Rotate flat-head screwdriver in direction of arrow -2-.
- Pull off cover in direction of arrow -3-.



A

- Remove bolt -1-.
- Tightening torque: 2.5 Nm (22 in. lb)
- Remove manual window crank -2- and base -3-.

Front door manual window crank installation position

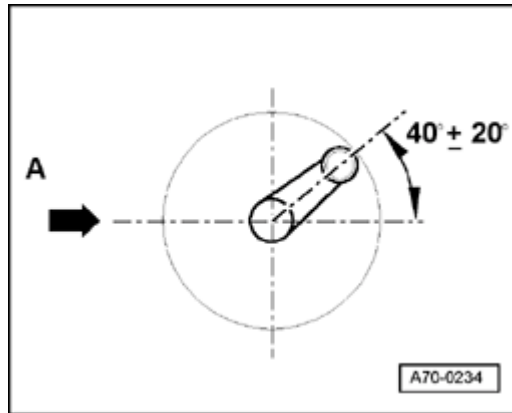
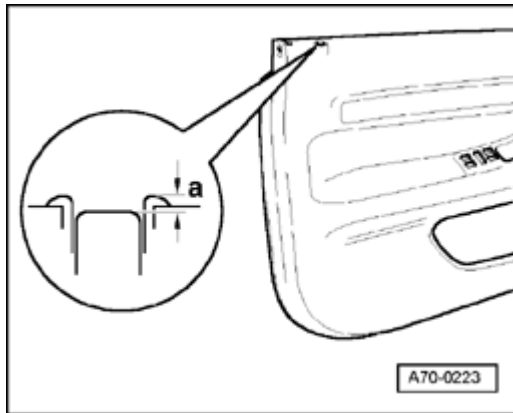


Illustration shows left manual window crank (right side is mirror of left).

A - Driving direction

Installation position shown: window closed

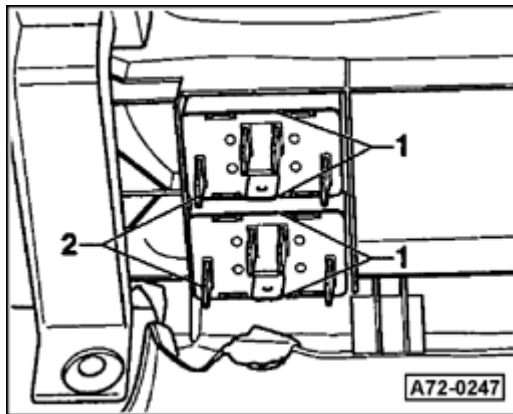
Release button, adjusting

**A**

- When locked, release lever must not project more than dimension -a-.
- Dimension -a-: 0-2 mm countersunk

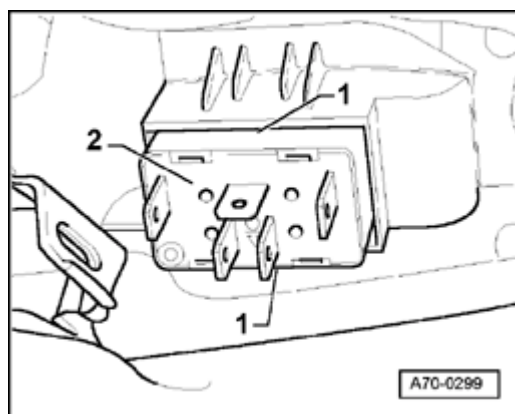
Driver-side power window switches, removing and installing

- Remove door trim ⇒ [page 70-3](#) .
- Remove insulation ⇒ [page 70-5](#) .
- Remove vapor barrier ⇒ [page 70-12](#) .
- Use screwdriver to remove retaining tabs -1-.
- Remove power window switches -2-.



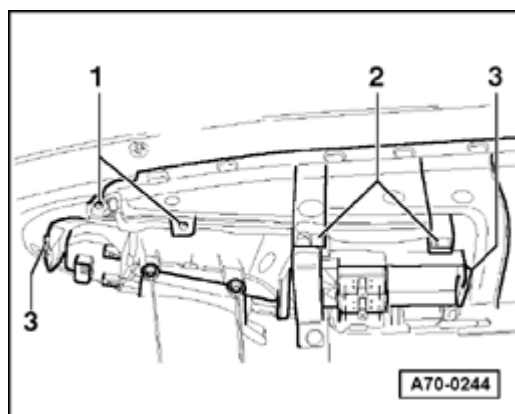
Passenger-side power window switch, removing and installing

- Remove door trim ⇒ [page 70-3](#) .
- Remove insulation ⇒ [page 70-5](#) .
- Use screwdriver to release retaining tabs -1-.
- Remove power window switches -2-.



Grip handle cover with power window switch unit and power mirror switch, removing and installing

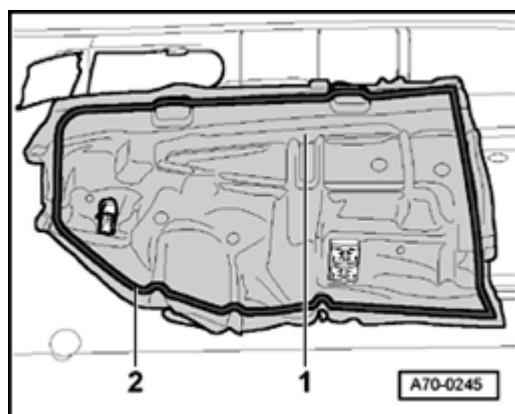
- Remove door trim ⇒ [page 70-3](#) .
- Remove insulation ⇒ [page 70-5](#) .
- Remove vapor barrier ⇒ [page 70-12](#) .

**A**

- Remove bolts -1- (2x).
Tightening torque: 1.5 Nm (13 in. lb)
- Release retaining tabs -2- (2x) and clips -3- (2x).
- Remove grip handle cover forward.

Vapor barrier, removing

- Remove door trim ⇒ [page 70-3](#) .
- Remove insulation ⇒ [page 70-5](#) .

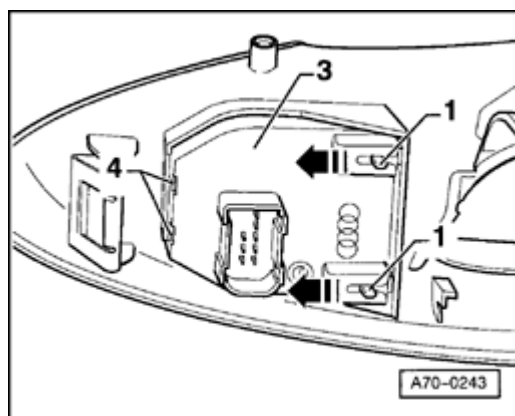


A

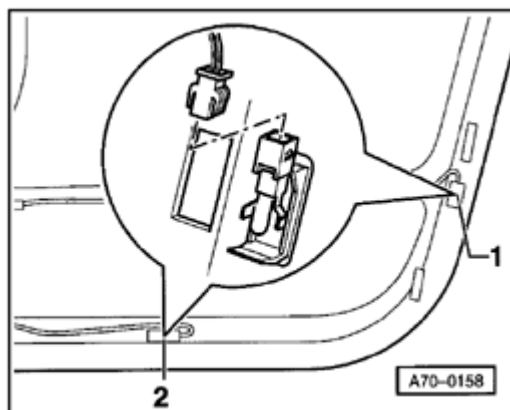
- To install, press in vapor barrier -1- in area of adhesive bead -2-.
- Push power window electrical harness connectors through vapor barrier.

Power mirror switch, removing and installing

- Remove door trim ⇒ [page 70-3](#) .
- Remove grip handle cover ⇒ [page 70-11](#) .
- Press pins -1- (2x) in direction of arrow.
- Remove retaining tabs -2-.
- Remove power mirror switch -3-.

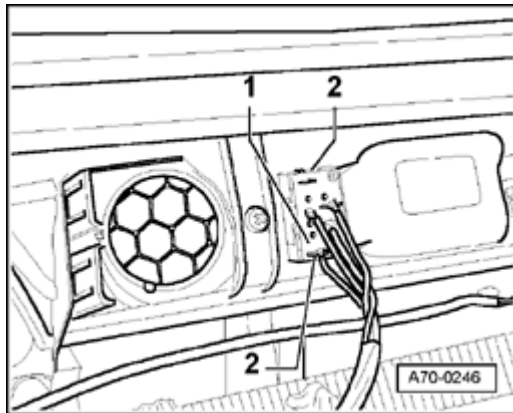


Door warning light and footwell lights, removing and installing

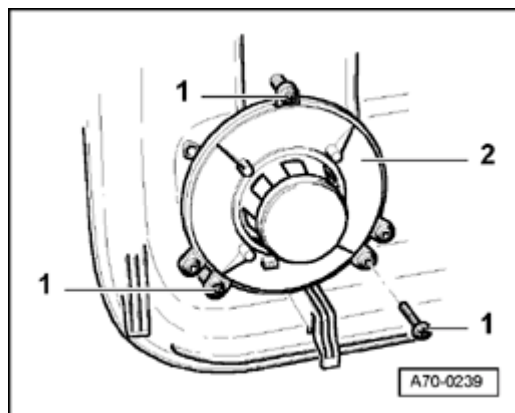
**A**

- Detach door warning light -1- from below using screwdriver and remove toward outside together with cable.
- Disconnect door warning light -1-.
- Detach footwell lighting -2- from front using screwdriver and remove toward outside together with cable.
- Disconnect footwell lighting -2-.

Central door locking switch, removing

**A**

- Remove door trim ⇒ [page 70-3](#) .
- Remove insulation ⇒ [page 70-5](#) .
- Using screwdriver, detach retaining tabs (2x) and remove central door locking switch toward rear.



Bass speaker, removing

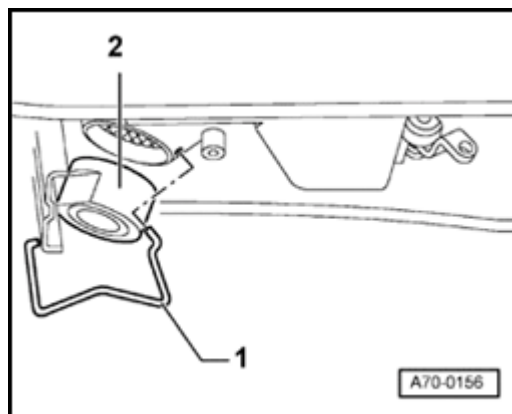
- Remove door trim ⇒ [page 70-3](#) .
- Remove insulation ⇒ [page 70-5](#) .
- Remove bolts -1- (3x).

Tightening torque: 1.5 Nm (13 in. lb)

- Remove bass speaker -2-.

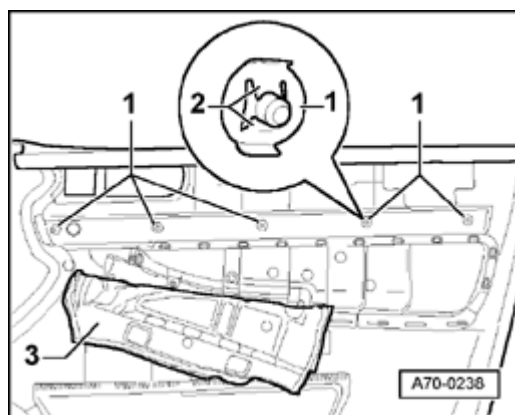
Tweeter, removing and installing

- Remove door trim ⇒ [page 70-3](#) .
- Remove insulation ⇒ [page 70-5](#) .
- Pull wiring from door trim up to bass speaker.
- Remove interior door handle ⇒ [page 70-19](#) .
- Using screwdriver, detach bracket -1-.
- Remove tweeter -2-.



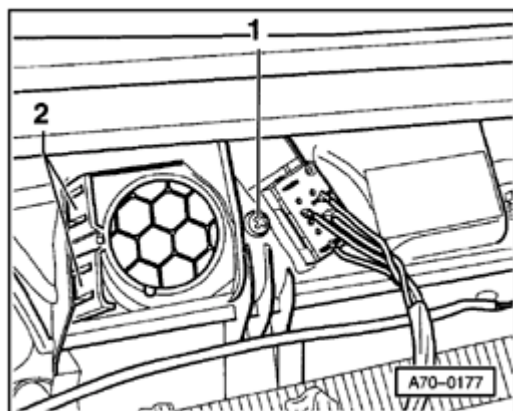
Trim panel in door trim, removing

- Remove door trim ⇒ [page 70-3](#) .
- Remove insulation ⇒ [page 70-5](#) .
- Pull vapor barrier -3- down in area of trim.
- Carefully open clips -2- of clips -1-.
- Remove trim panel.



Interior door handle, removing

- Remove door trim ⇒ [page 70-3](#) .
- Remove tweeter ⇒ [page 70-17](#) .
- Remove central door locking switch (driver-side only) ⇒ [page 70-15](#) .

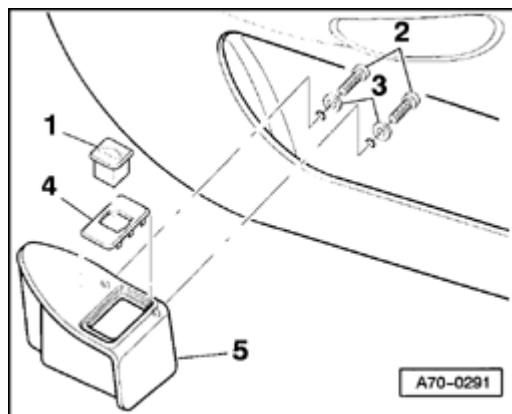


A

- Remove bolt -1-.
- Press retaining tabs -2- (2x) and remove interior door handle toward front.

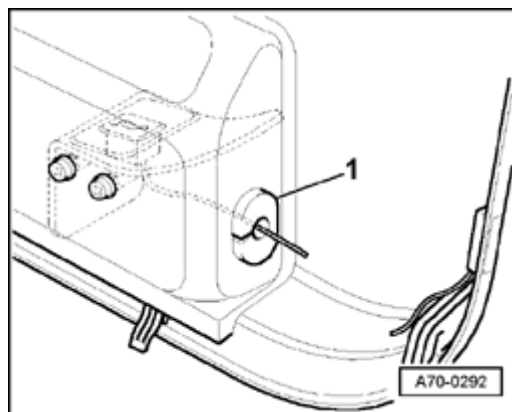
Console and trunk release switch, removing

- Remove door trim ⇒ [page 70-3](#) .



A

- Remove bolts -2- (2x).
- Remove console -5-.
- Disconnect harness connector from switch -1-.
- Remove trim panel -4- together with switch -1-.



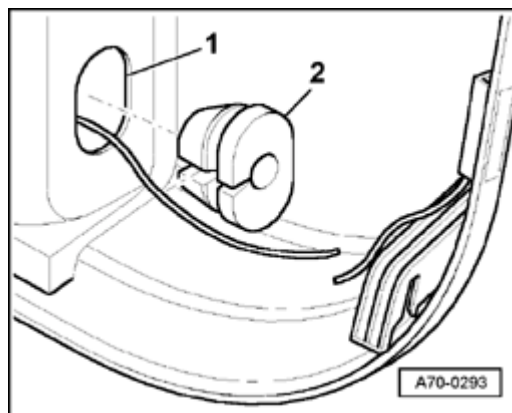
A

- Remove grommet -1-.

70-21

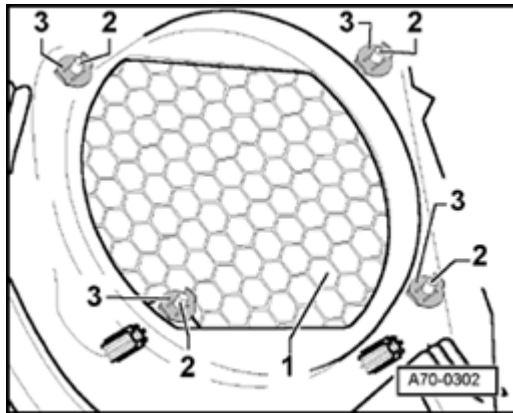
Door trim for trunk release switch, cutting out

The area to be cut out -1- is indicated on door trim.



- Cut out area using available tools.
- Install grommet -2-.

Switching speaker trim (Normal, Bose)

**A**

- Drill out old speaker trim -1- at -2- (4x).
- Insert speaker trim -1- from front and secure speaker trim -1- with clips -3- (4x).