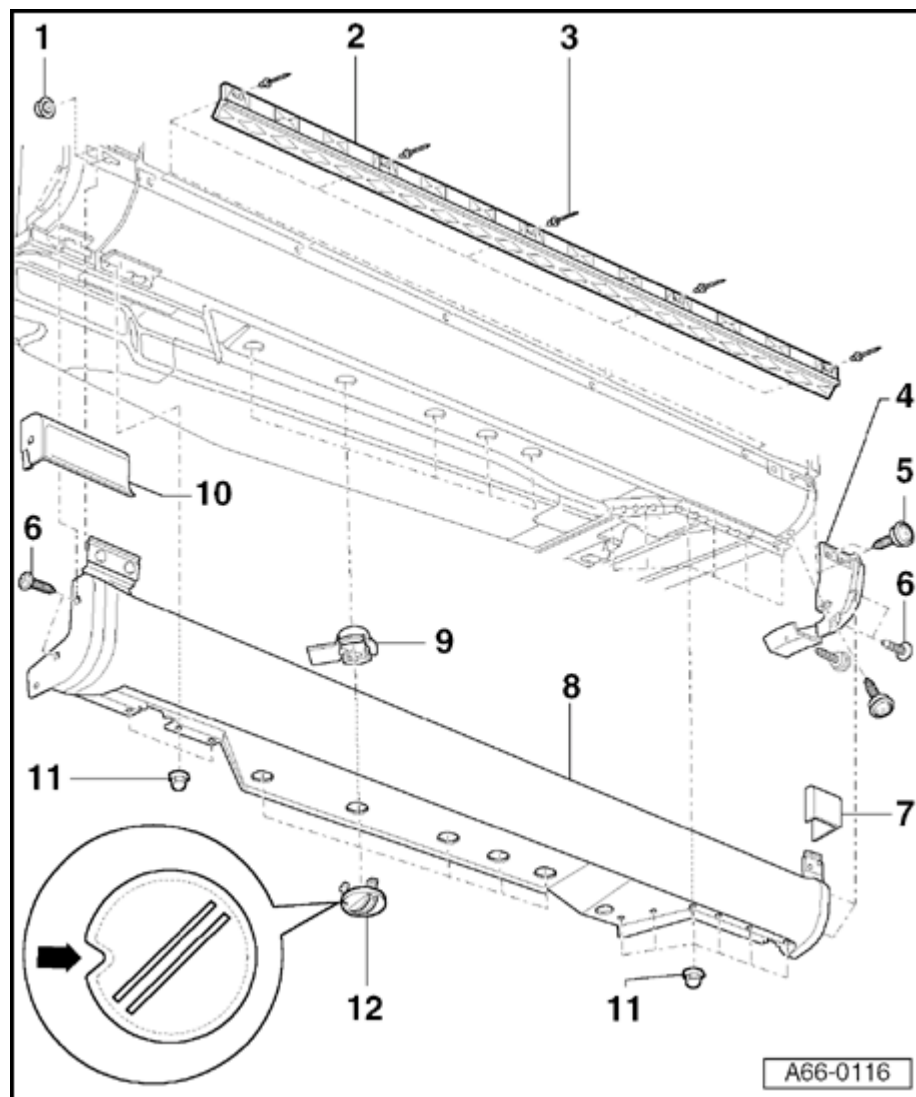


66-22



Rocker panel cover, removing and installing (S4)

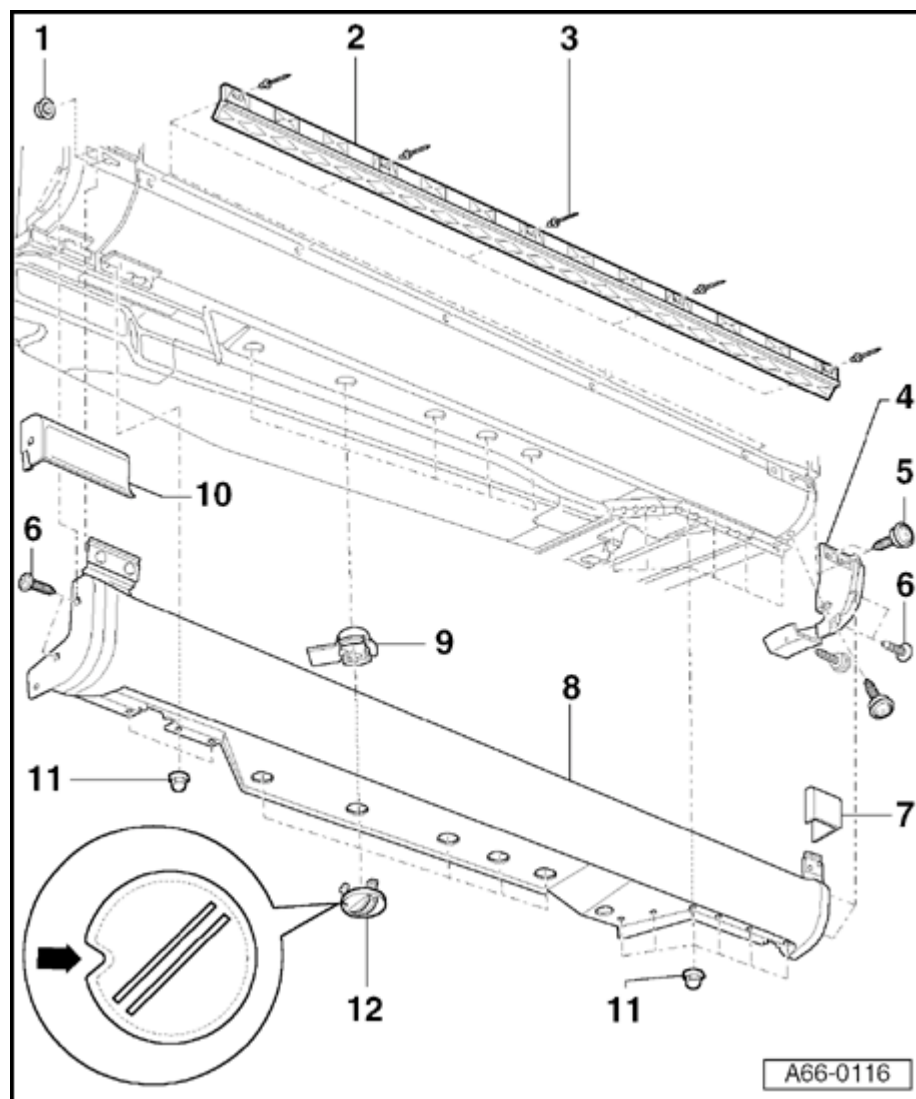
1 - Hex nut

- ◆ 1 Nm

2 - Retaining strip

- ◆ Adhesive surfaces must be free of dust and grease before pressing on retaining strip.
- ◆ Self-adhesive, remove protective foil just prior to assembly.
 - Use hot air gun to warm retaining strip to approx. 40 °C (max 50 °C) before assembly.
 - Center retaining strip using one hollow rivet at the front and one at the rear.
 - Press complete surface of retaining strip securely into adhesive areas at sill.
 - Rivet retaining strip to sill, starting at front and moving toward rear.

66-23

**3 - Hollow rivet**

◆ 5x.

4 - Bracket**5 - Collar screw**

◆ 1.5 Nm.

6 - Phillips-head screw

◆ 1.5 Nm.

7 - Rear trim piece◆ Removing ⇒ [Fig. 2](#) .**8 - Rocker panel cover for sill**◆ Before removing, remove rear trim piece - 7- ⇒ [Fig. 2](#) .

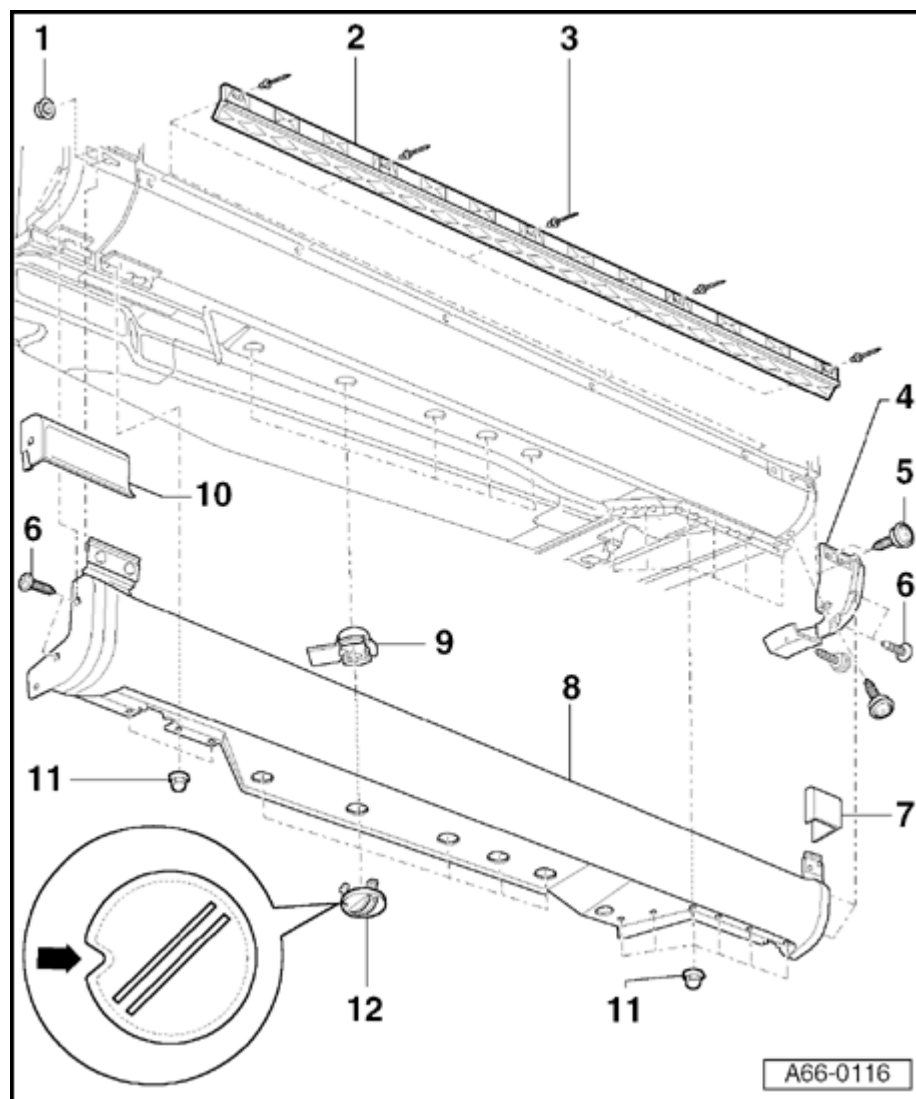
◆ Remove front end piece -10-.

- Remove Phillips-head screws -6- at front and rear.

- Disengage twist locks -12- and remove.

- Remove cap nuts -11-.

66-24

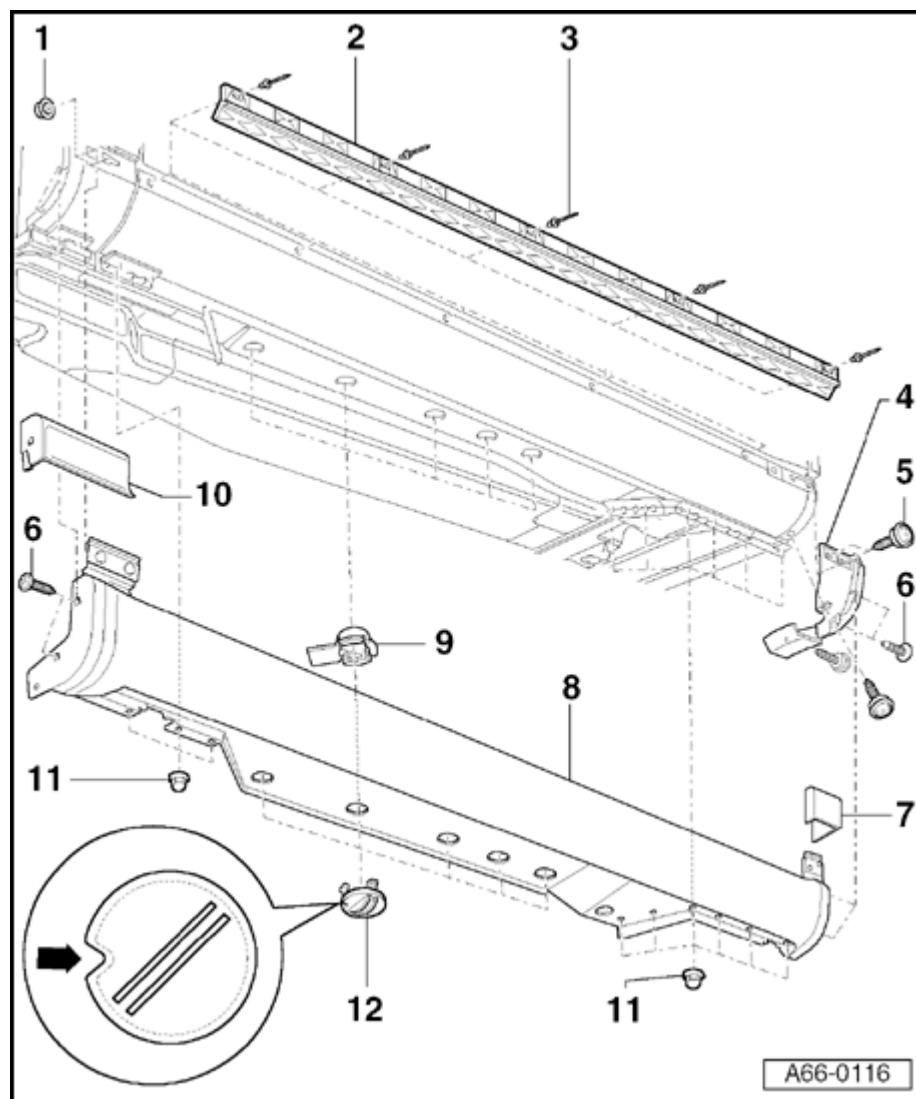


- Remove bolts for securing wheelhousing liner near hex nuts -1-.
- Press wheelhousing liner to side and remove hex nuts -1-.
- Bolts for securing the EVAP canister must also be removed on right-hand side.
- Pull rocker arm cover slightly forward out of bracket -4- and remove from sill.

9 - Mount for twist lock

- ◆ Tab on mount must face vehicle interior.

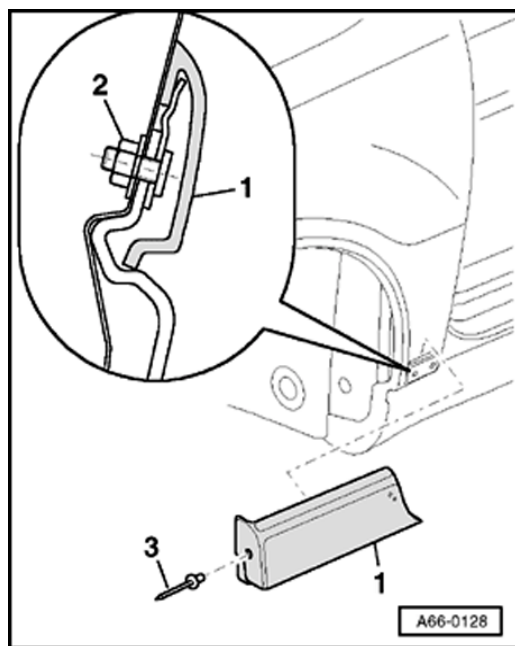
66-25

**10 - Front end piece**◆ Removing ⇒ [Fig. 1](#) .**11 - Cap nut**

◆ 1.5 Nm.

12 - Twist lock

◆ Notch (arrow) must face front of vehicle.

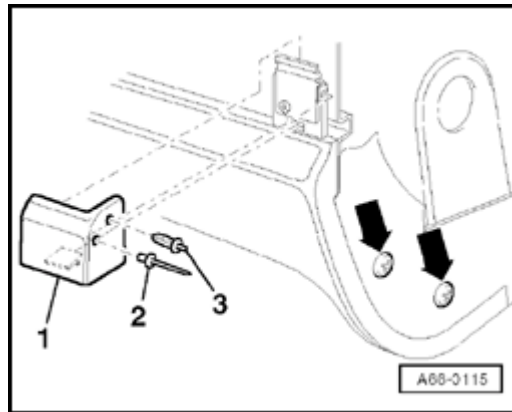


A

Fig. 1 Removing and installing front end piece

- Remove front wheel.
- Drill rivet heads off hollow rivets -3- and knock rivet shaft through.
- Remove wheelhousing liner bolts around front end piece.
- Press wheelhousing liner to side and remove hex nut -2-.
- Remove front end piece -1- from fender toward side.

66-27



A

Fig. 2 Removing and installing rear trim piece

- Drill rivet head off hollow rivet -2- an knock rivet shaft through.
- Push pin through expanding clip and remove expanding clip from trim piece.
- Pin is required when reinstalling expanding clip.
- Pull trim piece up and out of bracket first and then remove.
- For further removal of rocker panel cover, remove Phillips-head screws (arrows).