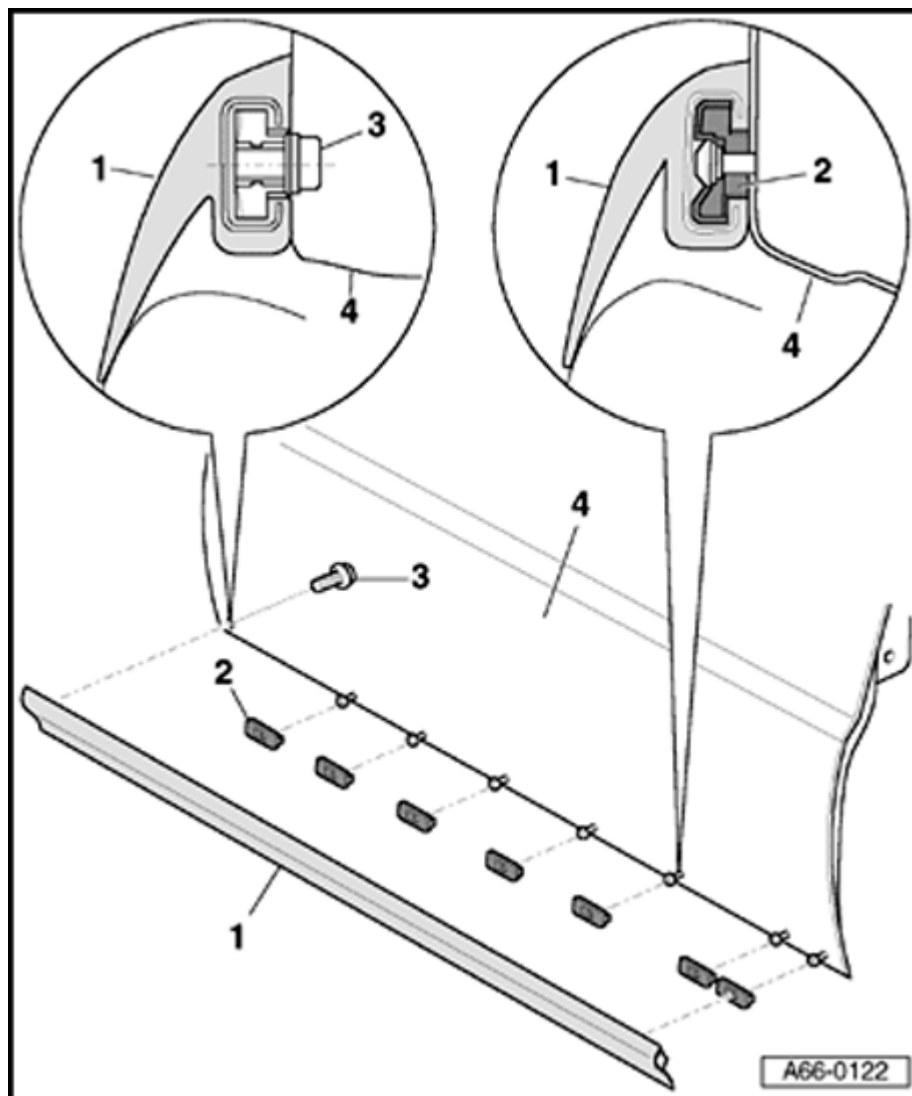


66-2



Lower trim strip for front door

Lower trim strip, removing and installing

1 - Lower trim strip

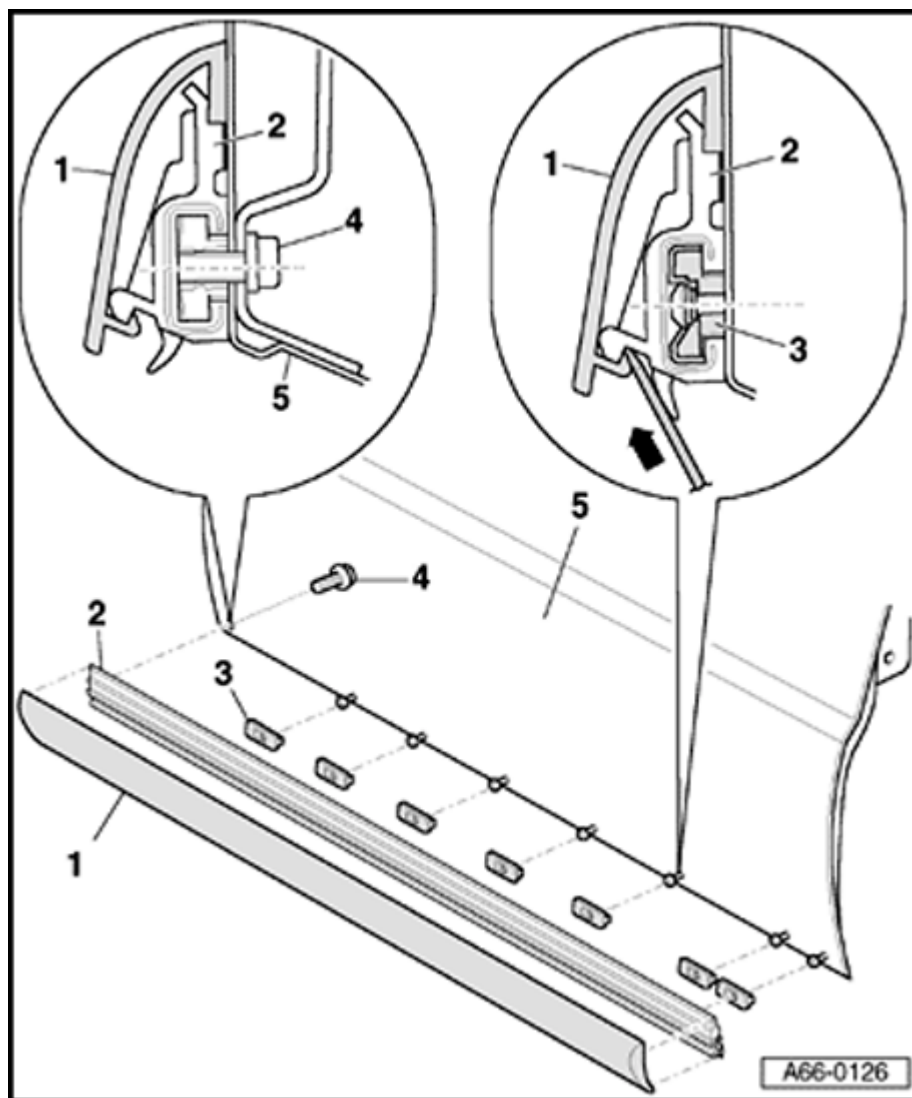
- ◆ Remove combination bolt -3- and slide trim strip toward rear out of retaining clips -2-.
- ◆ Remove trim strip laterally from door.
- ◆ Installation is the reverse of removal.

2 - Retaining clip

3 - Combination bolt

- ◆ 1 Nm

4 - Front door



Lower trim strip, removing and installing (S4)

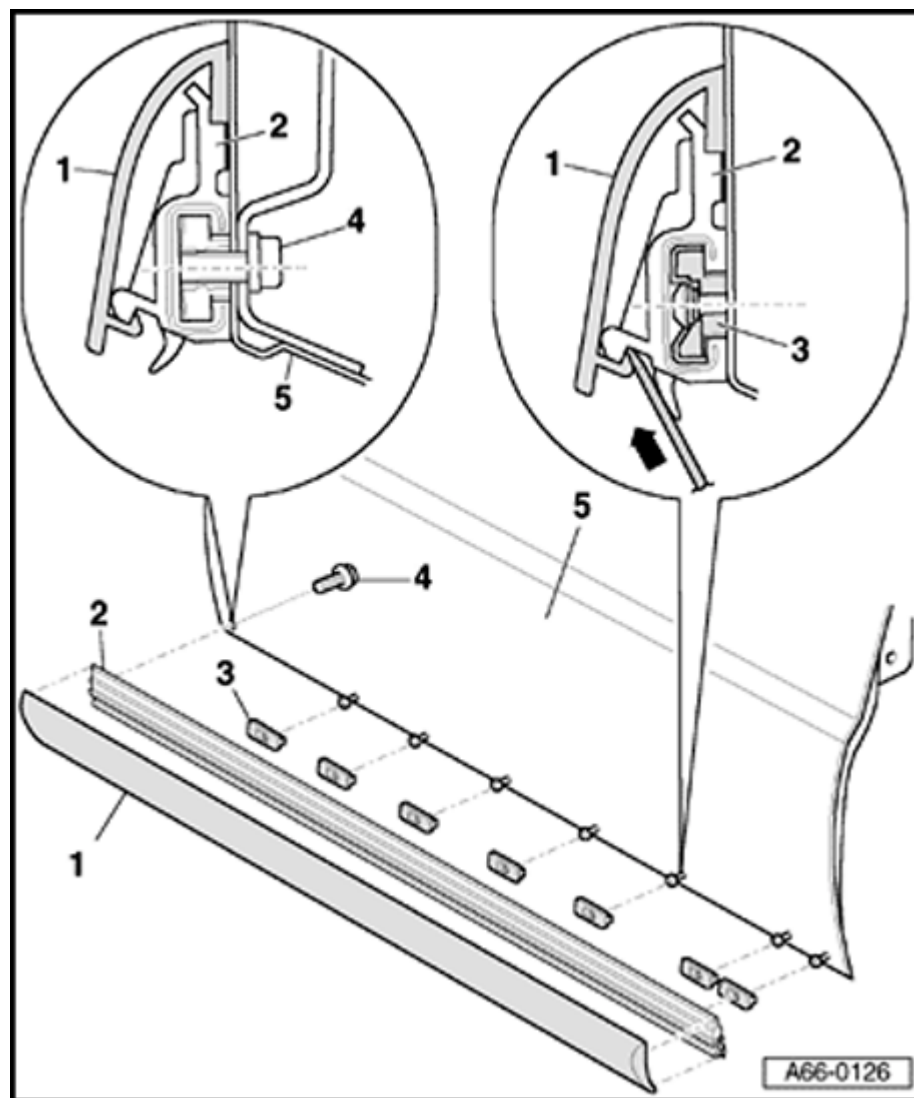
1 - Lower trim strip

◆ Removing:

- Use screwdriver to gradually press tab on retaining strip upward and out of trim strip in direction of arrow.
- Pull trim strip to side out of retaining strip during this process.

◆ Installing:

- Align trim strip and place onto retaining strip from top to bottom.
- Press lower trim strip onto retaining strip from side.



- 2 - Retaining strip
- 3 - Retaining clip
- 4 - Combination bolt
- ◆ 1 Nm
- 5 - Front door