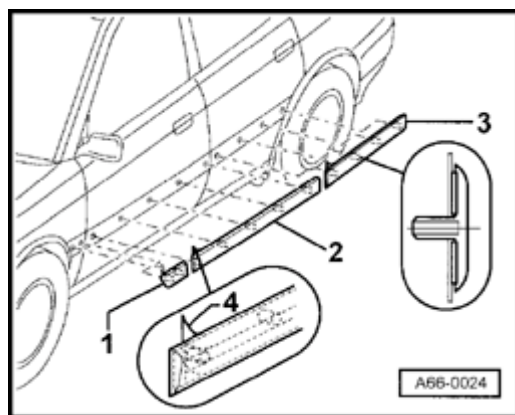


## Protective trim moldings

### Protective trim moldings, removing and installing

**Note:**

*Protective trim moldings cannot be removed without destroying them.*



A

- Make sure all bonding surfaces are free of dust and grease.

Protective trim moldings must only be installed at room temperature. Vehicle and protective trim molding (to be installed) must be left at room temperature for at least 2 hours before treating.

- Pull off backing sheet -4- shortly before installing.

Protective trim molding must be installed within 90 minutes after backing sheet has been removed.

- Position protective trim moldings -1-, -2-, or -3- at front with guide stud and bond toward rear.
- Apply pressure of 100 N/cm to protective trim moldings by pressing against or using roller.
- Vehicle must remain at room temperature for 4 hours (minimum) after installing moldings.