

Rear bumper (Avant)

Rear bumper, removing, installing and assembly overview (➤ VIN 8D XA 200 000)

1 - Metal bolt

2 - Bracket

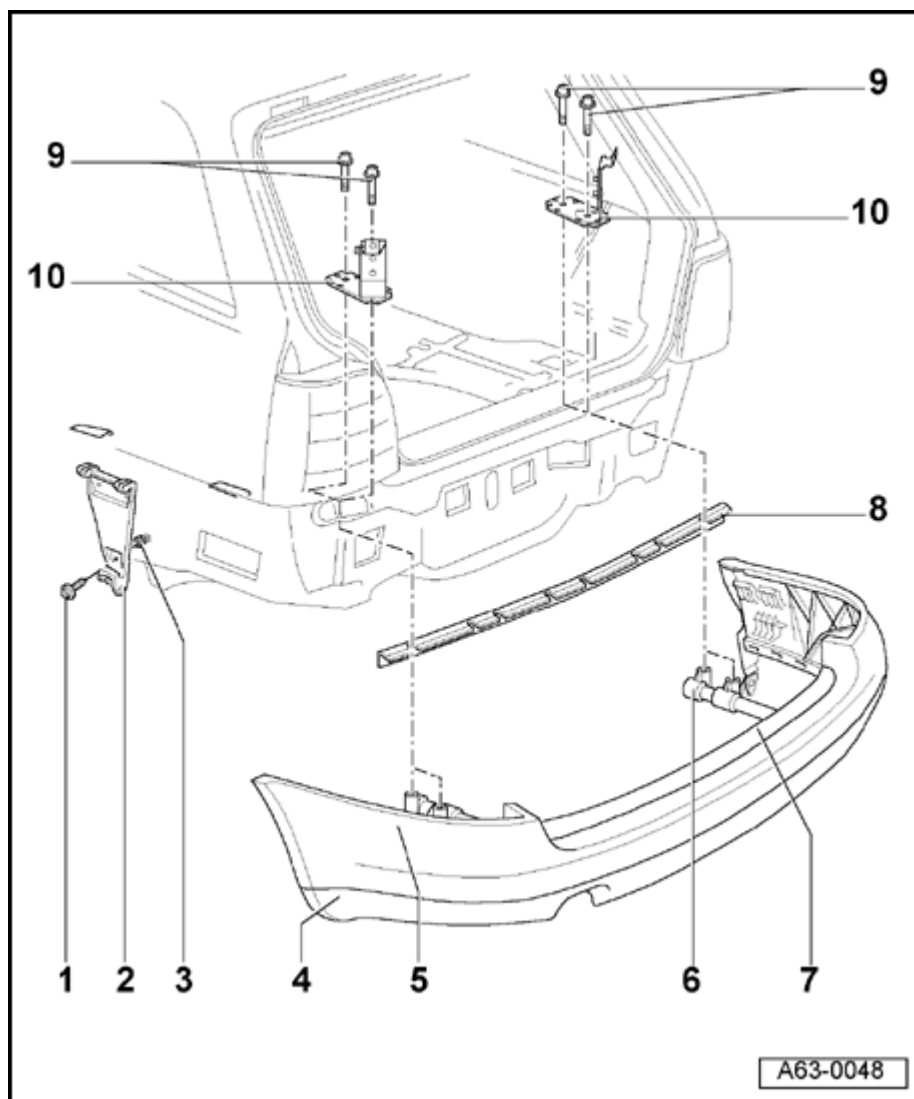
- To remove, remove metal bolts -1- and take off bracket.

3 - Clip

4 - Spoiler

◆ Removing and installing ⇒ [page 63-10](#)

63-17



5 - Bumper

- Before removing, remove rear panel trim.

⇒ [Repair Manual, Body-Interior, Repair Group 70](#)

- Remove tailgate seal in area of loading edge/side panels.
- Fold luggage compartment cover forward.
- Remove tie-downs left and right at side trim and unclip rear side trim.

⇒ [Repair Manual, Body-Interior, Repair Group 70](#)

- Carefully pull side trim at left and right towards vehicle interior.
- Remove combination bolts -9-.
- Unclip bumper from bracket -2- in direction of arrow and pull off towards rear.

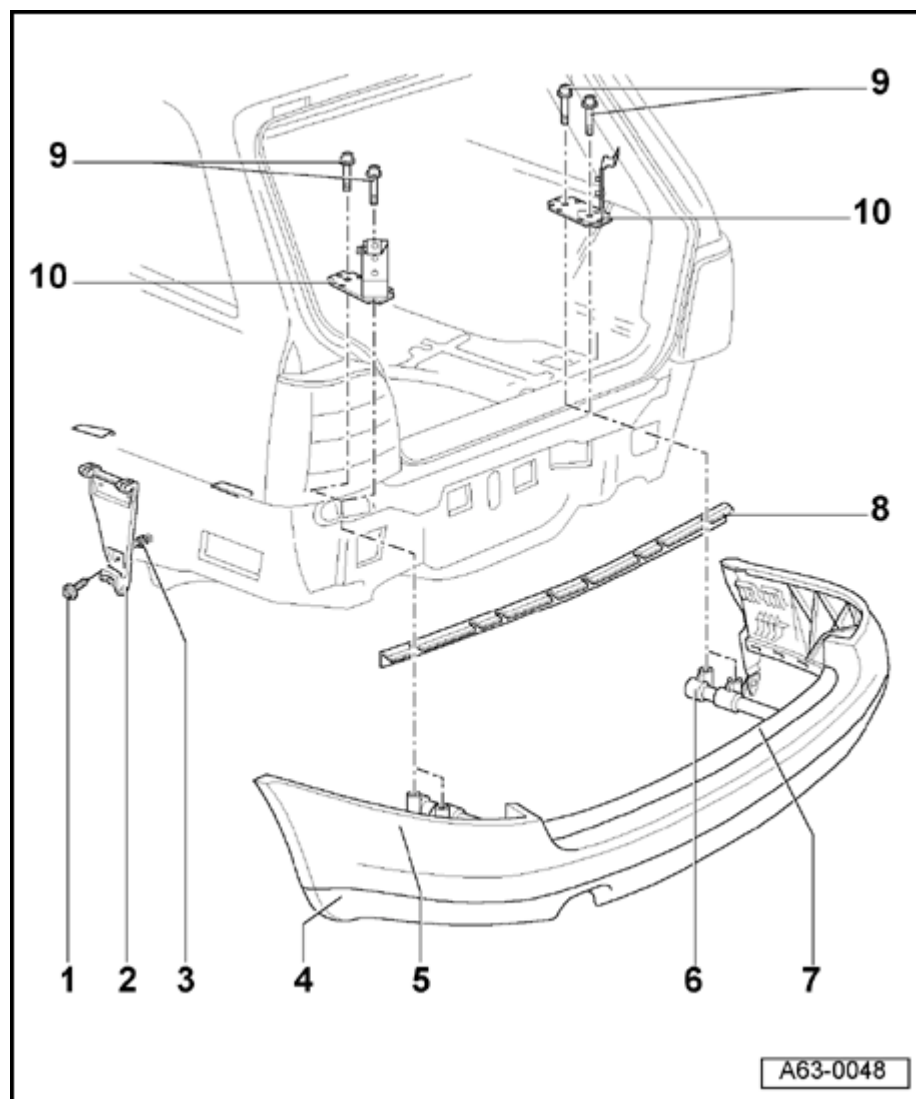
6 - Bracket

- ◆ Removing from bumper ⇒ [page 63-19](#)

7 - Cover strip

- ◆ Removing ⇒ [page 63-19](#)

63-18

**8 - Support**

- To remove, heat body with heat gun to approx. 40 °C (104 °F) and pull off support.

- To attach, heat body in adhesion area with hot air injector to approx. 40 °C (104 °F).

◆ Adhesion surface must be free of dust and grease

- Pull off protective foil and press on support using special tool 3356 (application roller).

9 - Combination bolt

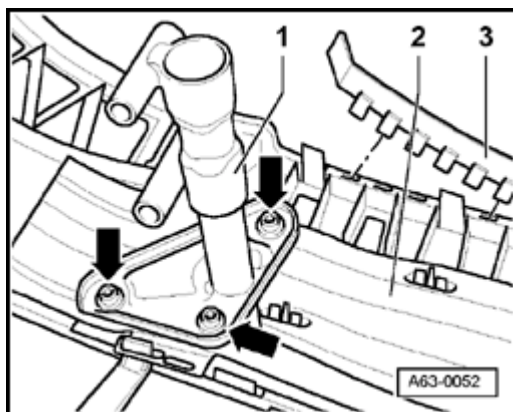
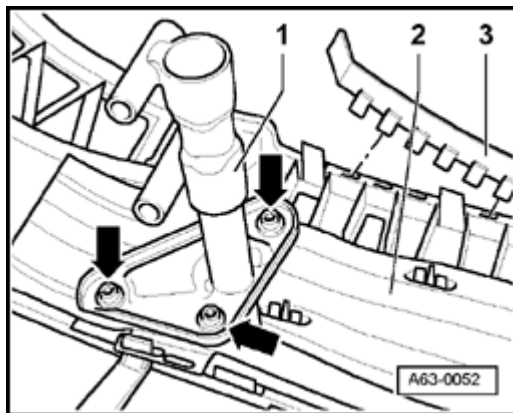
◆ 23 Nm (17 ft lb)

10 - Console

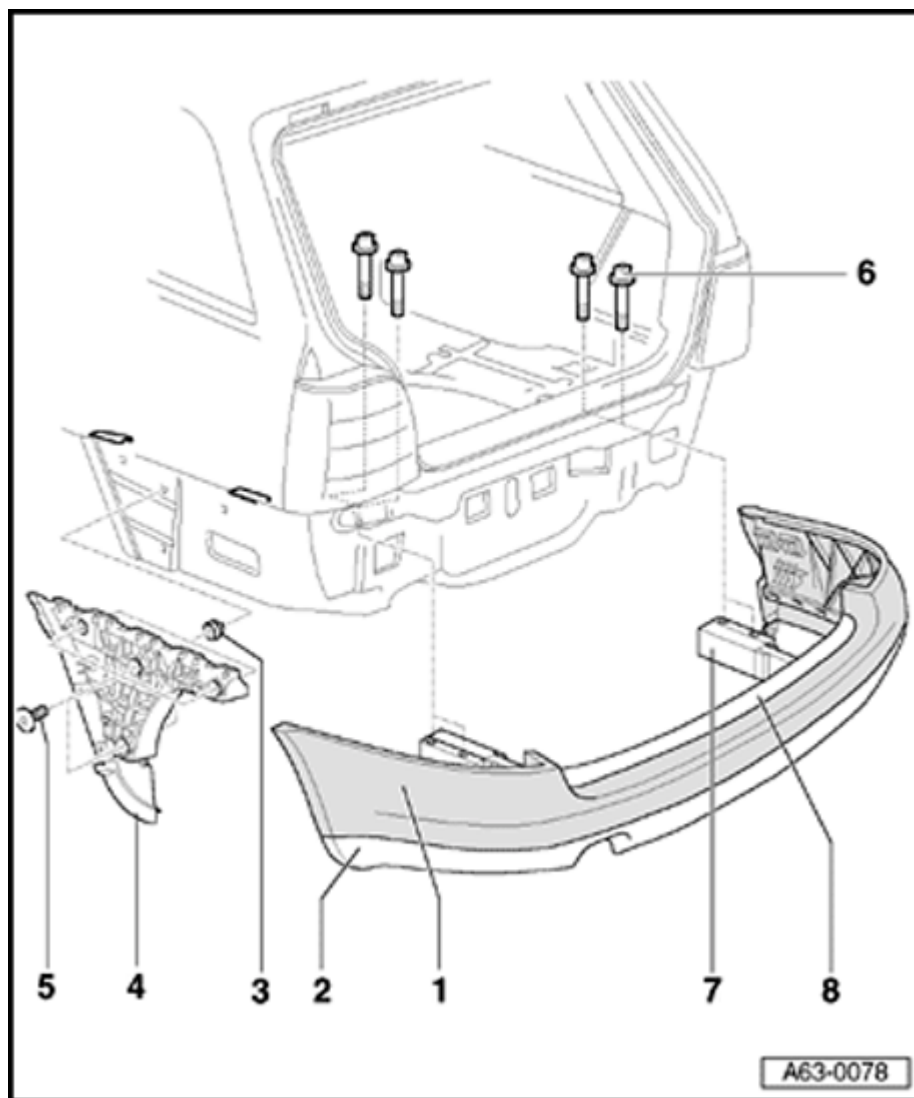
Bumper cover strip, removing

- Remove bumper ⇒ [page 63-1](#) .
- A** - Release locking mechanism and unclip cover strip -3- from bumper -2-.

Removing bracket from bumper



- A** - Remove bolts (arrows) and take bracket -1- out of bumper -2-.
Tightening torque: 23 Nm (17 ft lb)



Rear bumper, removing and installing (VIN 8D XA 200 001 ➤)

1 - Bumper

- ◆ Before removing, remove rear panel trim.

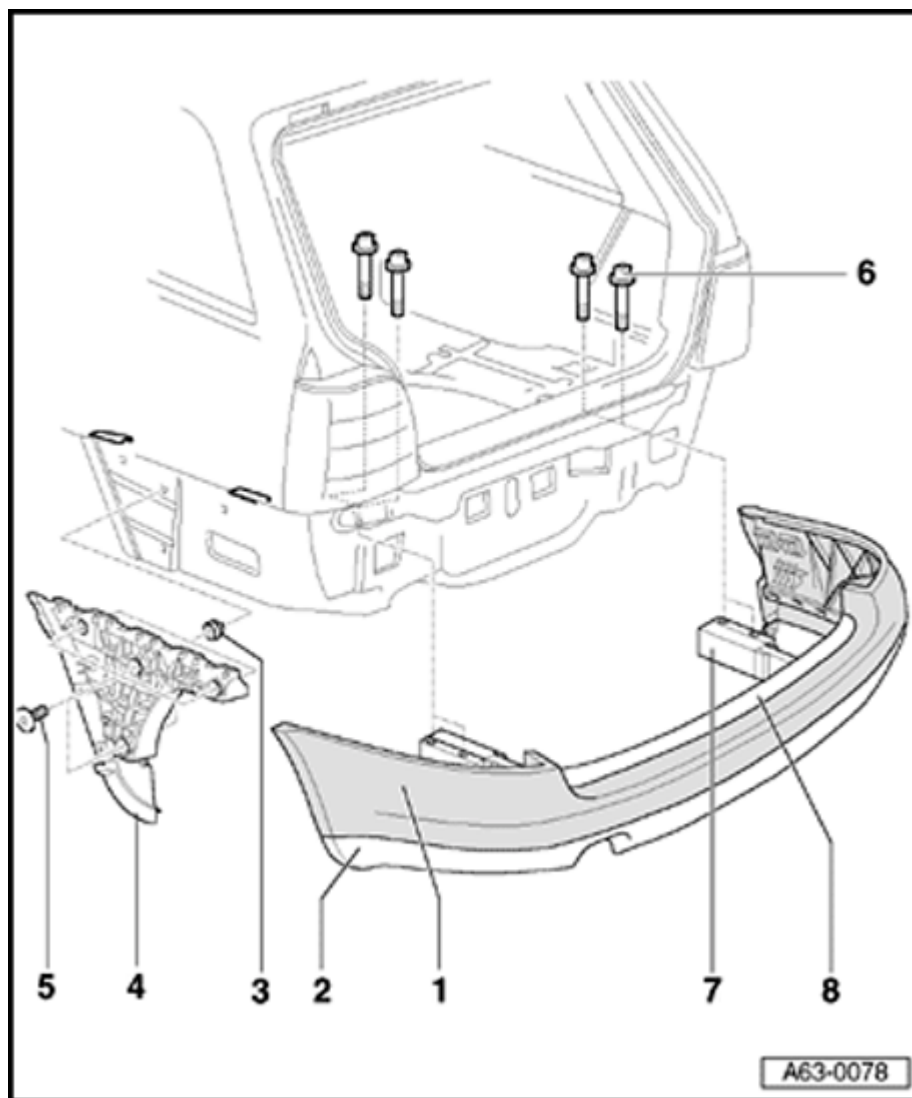
⇒ *Repair Manual, Body-Exterior, Repair Group 70, trim pieces.*

- ◆ Remove rear lid seal around loading edge and sides.
- ◆ Fold luggage compartment cover forward.
- ◆ Remove tie-downs left and right at side trim and unclip rear side trim.

⇒ *Repair Manual, Body-Exterior, Repair Group 70, trim pieces.*

- ◆ Carefully pull side trim at left and right toward vehicle interior.
- ◆ Remove screw w/washer assembly -6-.
- ◆ Unclip bumper from bracket -4- and remove toward rear.

63-21

**2 - Spoiler**

- ◆ Removing and installing ⇒ [page 63-10](#) .

3 - Clip**4 - Bracket**

- ◆ To remove, remove metal bolts -5- and remove bracket -2-.

5 - Metal bolt**6 - Screw w/washer assembly**

- ◆ 23 Nm

7 - Bracket

- ◆ Removing from bumper ⇒ [page 63-22](#) .

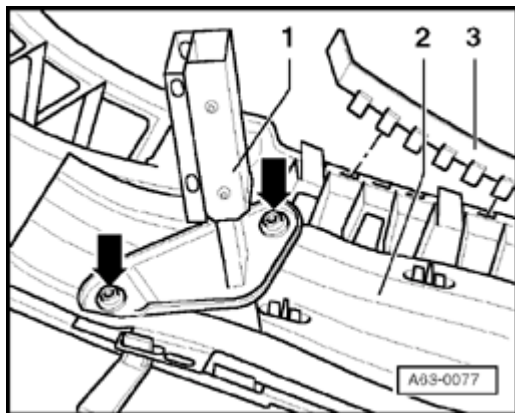
8 - Cover strip

- ◆ Removing ⇒ [page 63-22](#) .

Bumper cover strip, removing

- Remove rear bumper ⇒ [page 63-20](#) .

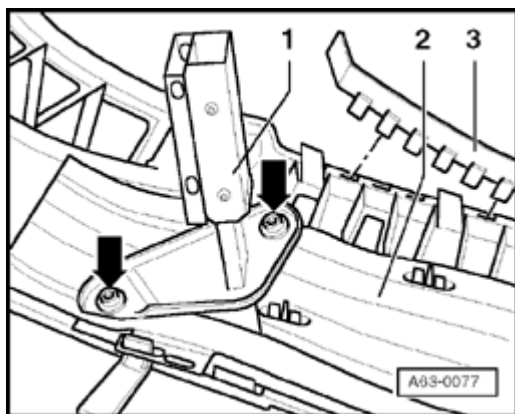
- A
- Release locking mechanism and unclip cover strip -3- from bumper -2-.
 - for removing impact absorber.

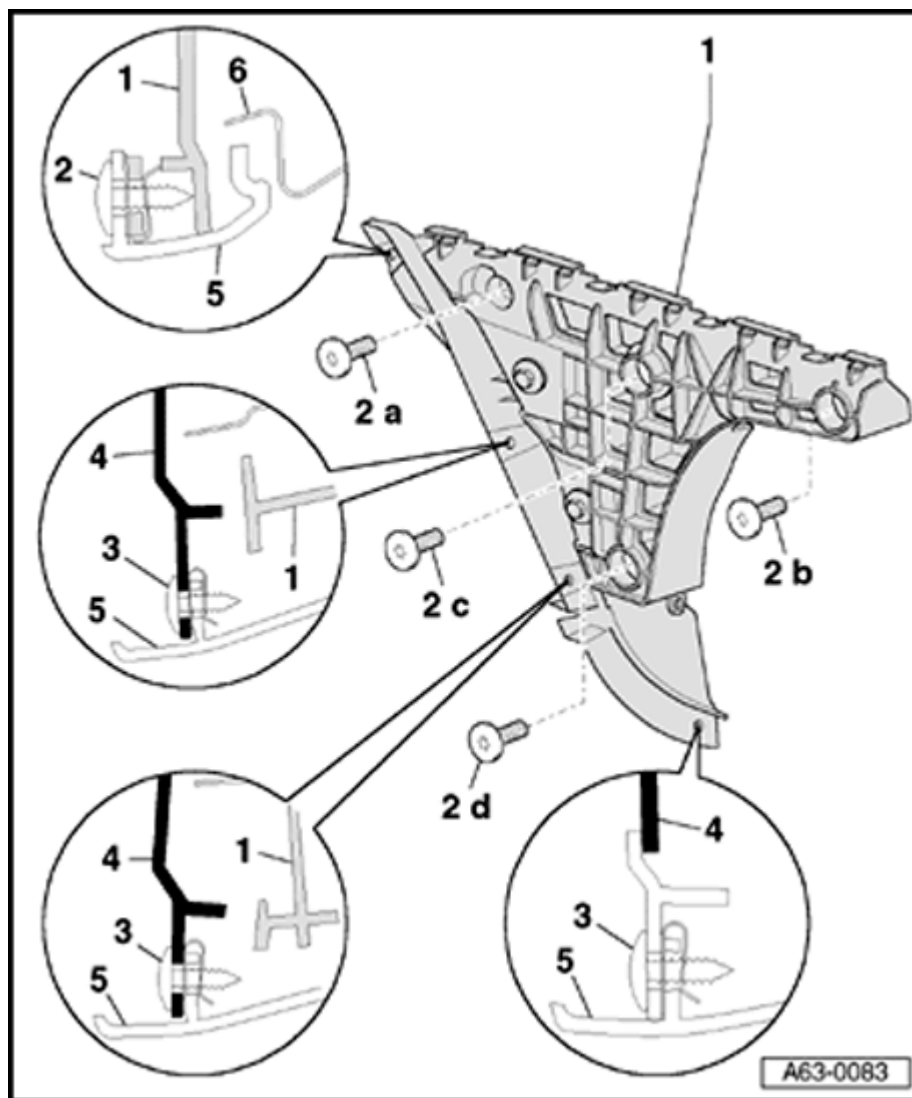


A

Fig. 1 Removing bracket from bumper

- Remove bolts (arrows) and take bracket -1- out of bumper -2-.
- Installation tightening torque 23 Nm.





Bracket for rear bumper, removing and installing

1 - Bracket for rear bumper

- ◆ The bracket has two parts. The front half can be shifted to adjust the length.

2 - Combination bolts

- ◆ 1.5 Nm.
- ◆ Tighten bolts in sequence -a-, -b-, -c- then -d-.

3 - Metal bolt

- ◆ 1.5 Nm.

4 - Wheelhousing liner, rear

5 - Rear bumper

- ◆ Removing and installing ⇒ [page 63-20](#) .