

55-32

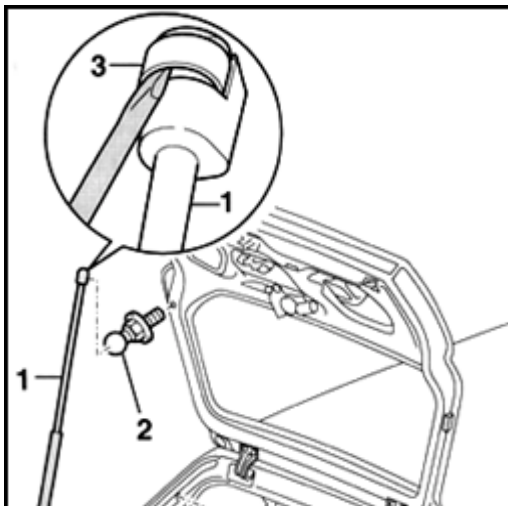
## Tailgate (Avant), (► m.y. 1999 VIN 8D XA 200 000)

### Tailgate, removing and installing

- Remove tailgate trim.

⇒ [Repair Manual, Body-Interior, Repair Group 70](#)

- Disconnect or remove harness connectors and hoses (i.e. for central locking and rear window washer system).
- Prop up and secure tailgate in open position.



A

- Using screwdriver, lift retaining spring -3- as shown and remove gas-filled strut -1- from upper ball stud -2-.

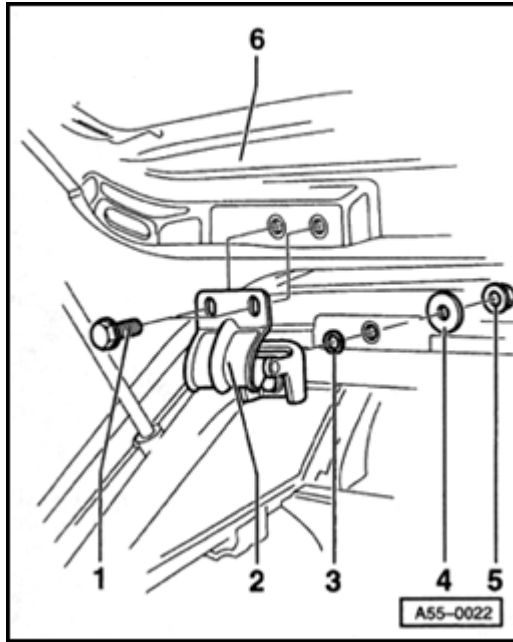
#### **Note:**

*Following complete removal of gas-filled strut, check for correct positioning during installation.*

*Sound insulation components must be installed on the body side.*

- To install, press gas-filled strut onto ball studs so that it engages in position.

Ball stud tightening torque: 15 Nm -1 Nm

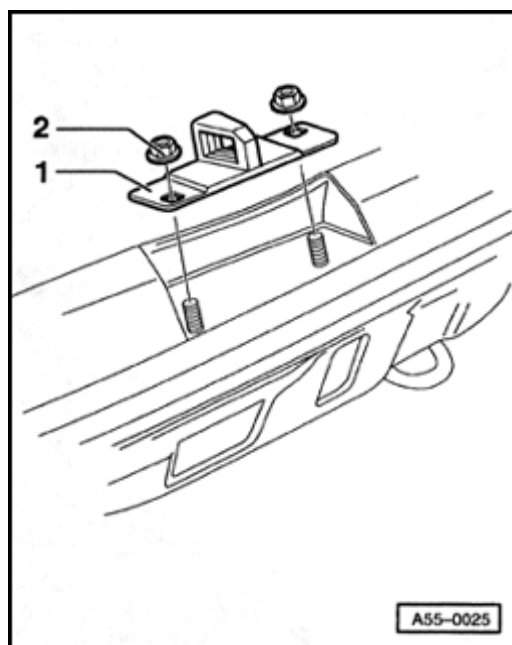


- A
- Remove hex bolt -1- (2x) from tailgate -6-.
- Tightening torque: 21 Nm (15 ft lb)

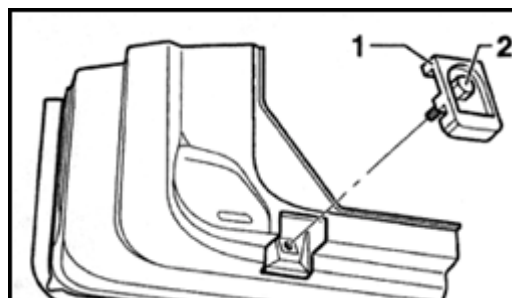
## Tailgate, adjusting

### Note:

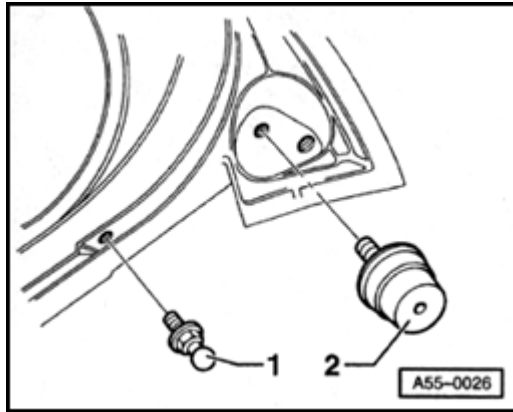
*Before installing a new tailgate the gas-filled struts must be installed.*

**A**

- Loosely attach striker -1- with nuts -2-.

**A**

- Loosely attach lower stop -1- (on trim of rear hatch) using hex bolt -2-.



A

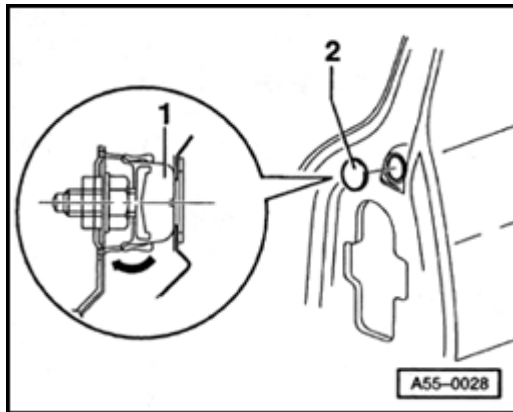
- Screw upper stop -2- in fully.
- Close rear hatch to appropriate position (flush).  
Rear lock and striker must engage.
- Open rear hatch and tighten mounting nut for striker to 8 Nm (71 in. lb).
- Install clay onto upper stop.
- Close and open tailgate.
- Determine thickness of clay and adjust stop accordingly.
- Unscrew stop another 1.5 to 2 rotations.

**Note:**

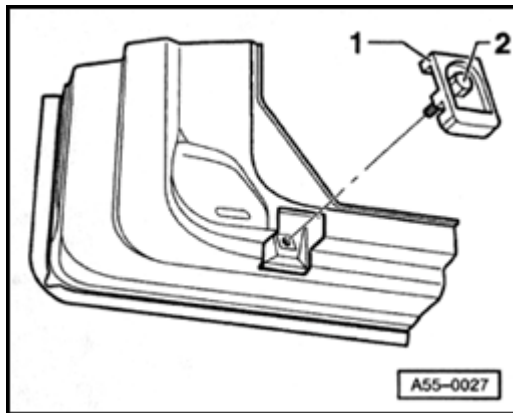
*Two (2) rotations represent a preload of 2.5 mm and a vertical shift of 0.8 mm at point -C- ⇒ [page 55-41](#) .*

- Check shutting comfort and gap dimensions.

55-36



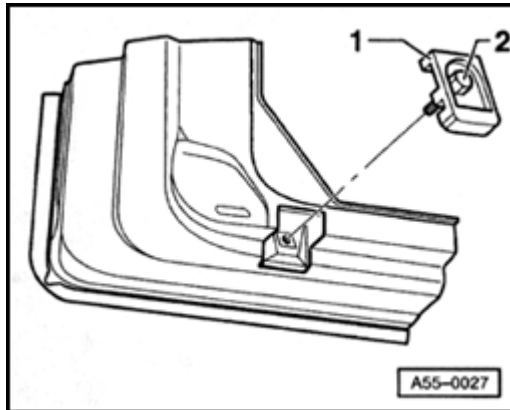
- A**
- Screw stop -1- into lock nut.  
Tightening torque: 21 Nm (15 ft lb)
  - Push cover on stop up toward tailgate surface (arrow).
  - 2 - Protective cap



- A**
- Loosen hex bolt -2- and pull lower stop -1- out slightly.
  - Tighten hex bolt -2- slightly and close rear hatch.
  - Using sensor gauge, set stop -1- from inside at 1 mm clearance to tailgate trim.

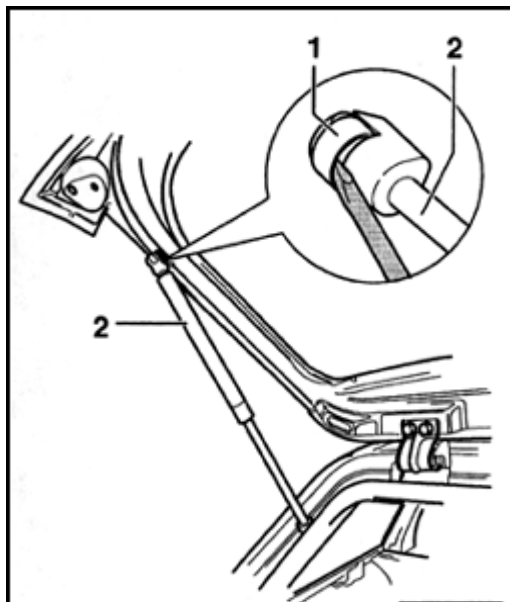
**CAUTION!**

**Stop buffers must not make contact with rear lid trim when rear lid is closed.**



A

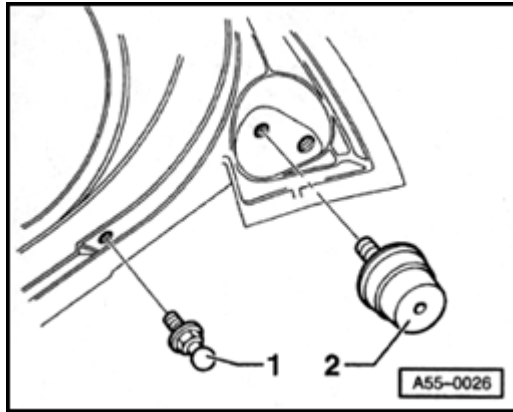
- Open hatch and tighten hex bolt -2- for stop to 8 Nm (71 in. lb).
- Check gap dimensions ⇒ [page 55-41](#) .



A

**Removing and installing gas-filled strut**

- Lift retaining spring on gas-filled strut -1- and remove strut from ball stud.
- To install, press gas-filled strut onto ball stud.

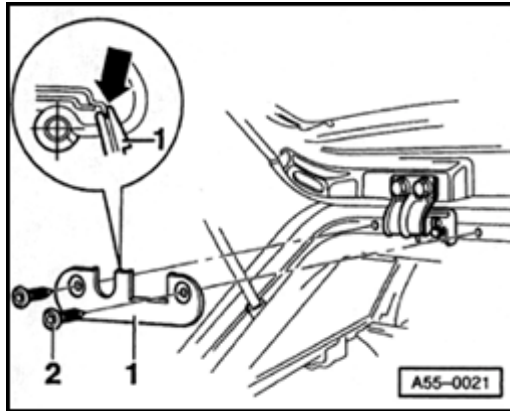


**▲ Removing and installing ball stud**

- Unscrew ball stud -1- and remove with seal.
- For installation, tighten to 14 Nm (10 ft lb).

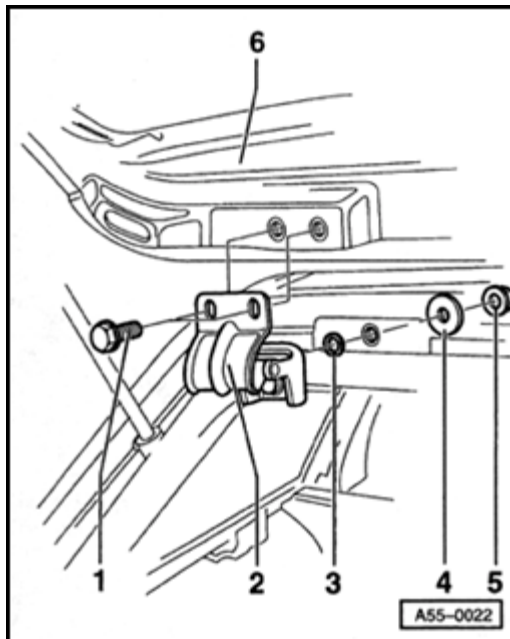


## Rear lid hinge, removing and installing



A

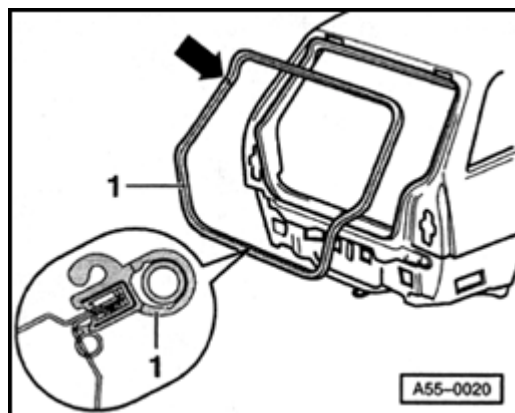
- Remove screws -2- and cover -1- for hinge.
- To install, first center cover -1- in notches (arrow) in roof flange and then tighten screws -2- to 2.5 Nm (22 in. lb).



A

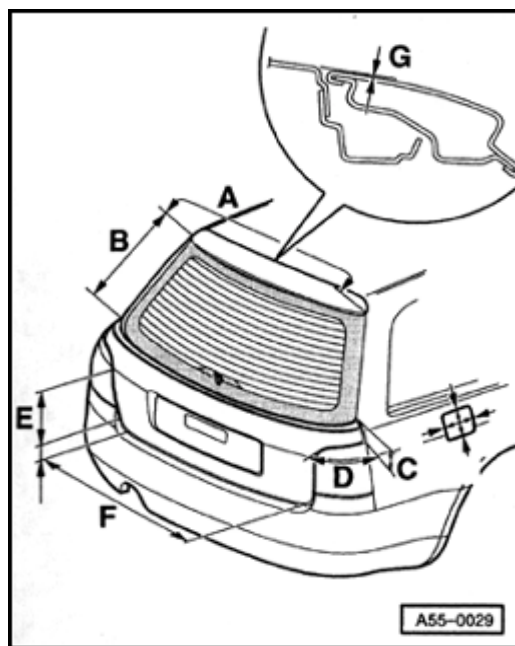
- Remove rear roof molding trim.
- ⇒ [Repair Manual, Body-Interior, Repair Group 70](#)
- Remove hex bolt -5-.
  - Remove hex bolt -1-.
  - Replace seal -3- during installation.
  - Tighten hex bolt and bolt to 21 Nm (15 ft lb).

### Tailgate seal, removing and installing

**A**

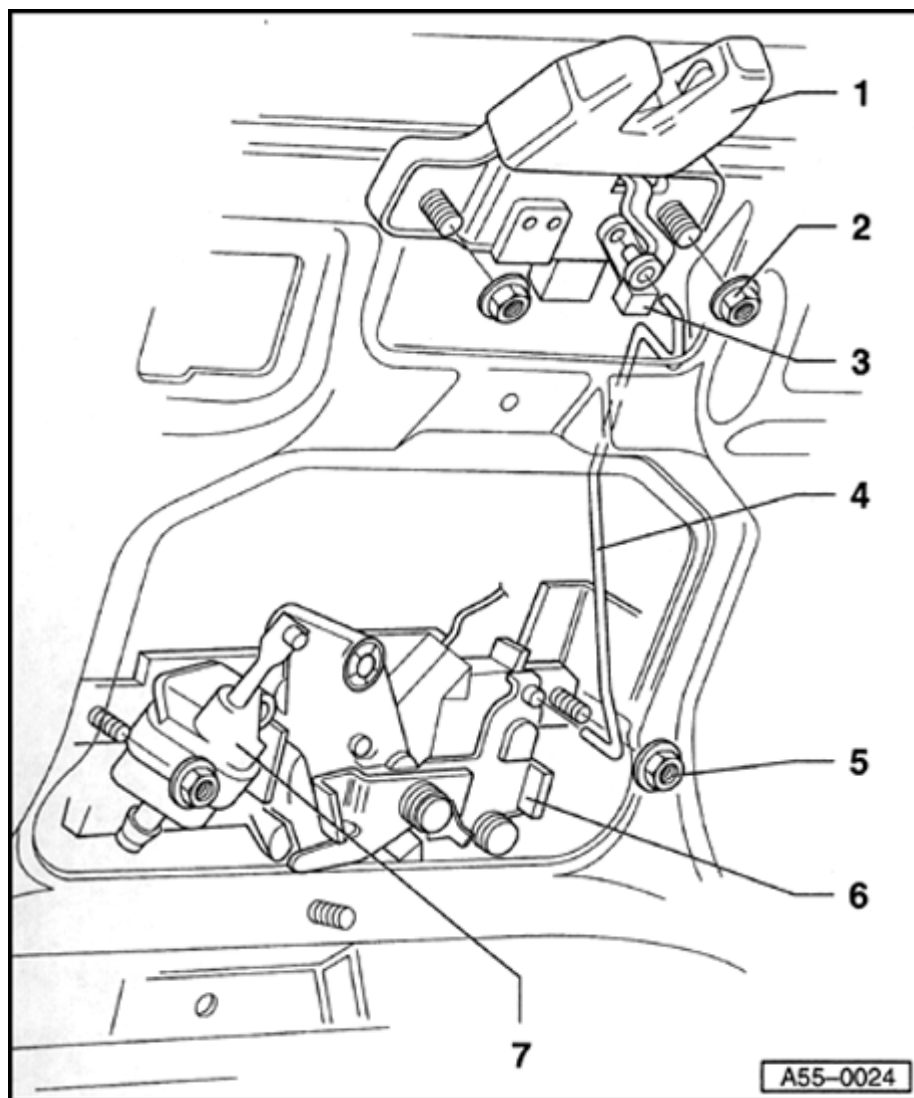
- Open tailgate and remove seal.
- When installing, vulcanized butt joint (arrows) must be placed on body side at height of ball stud.
- Press seal -1- onto body as shown.

55-41



### A Gap dimensions, tailgate

Letter	Actual gap dimension (mm)	Parrallelism (mm)
-A-	4.0 +1	0.5
-B-	5.0 +1	1
-C-	4.0 +1	0.5
-D-	3.4 +1	0.5
-E-	3.4 +1	0.5
-F-	5.0+1	
-G-	1.0	
-H-	2.5 ± 0.1	
-I-	3.3 ± 0.1	
-J-	3.3 ± 0.2	
-K-	3.0 ± 0.4	



## Tailgate lock, removing and installing

### 1 - Tailgate lock

- To remove, swing out hinge arm -3- from operating rod -4- and unhook operating rod from tailgate lock.

- Remove hex bolts -2- and tailgate lock.

### 2 - Hex nut

◆ 8 Nm (71 in. lb)

### 3 - Hinge arm

◆ Must be swung over operating rod -4-

### 4 - Operating rod

- To remove, first disengage from lock system -6-.

### 5 - Hex nut

◆ 8 Nm (71 in. lb)

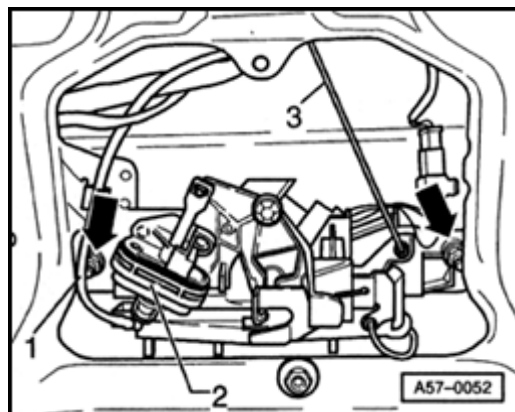
### 6 - Lock system

◆ Removing ⇒ [page 55-43](#)

### 7 - Tailgate lock actuator

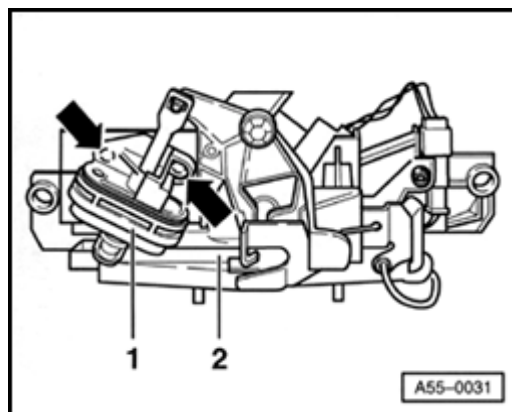
◆ Removing ⇒ [page 55-44](#)

## Tailgate lock system, removing and installing

**A**

- Remove tailgate trim.
- ⇒ [Repair Manual, Body-Interior, Repair Group 70](#)
- Disengage lock system at plug for vacuum line -1- and remove from lock actuator -2-.
  - Unclip operating rod -3-.
  - Disengage locating hooks on release handle and remove ⇒ [page 55-47](#) .
  - Remove hex bolts (arrow) and remove lock system from tailgate.
- Hex bolt tightening torque: 8 Nm (71 in. lb)

## Lock actuator, removing and installing

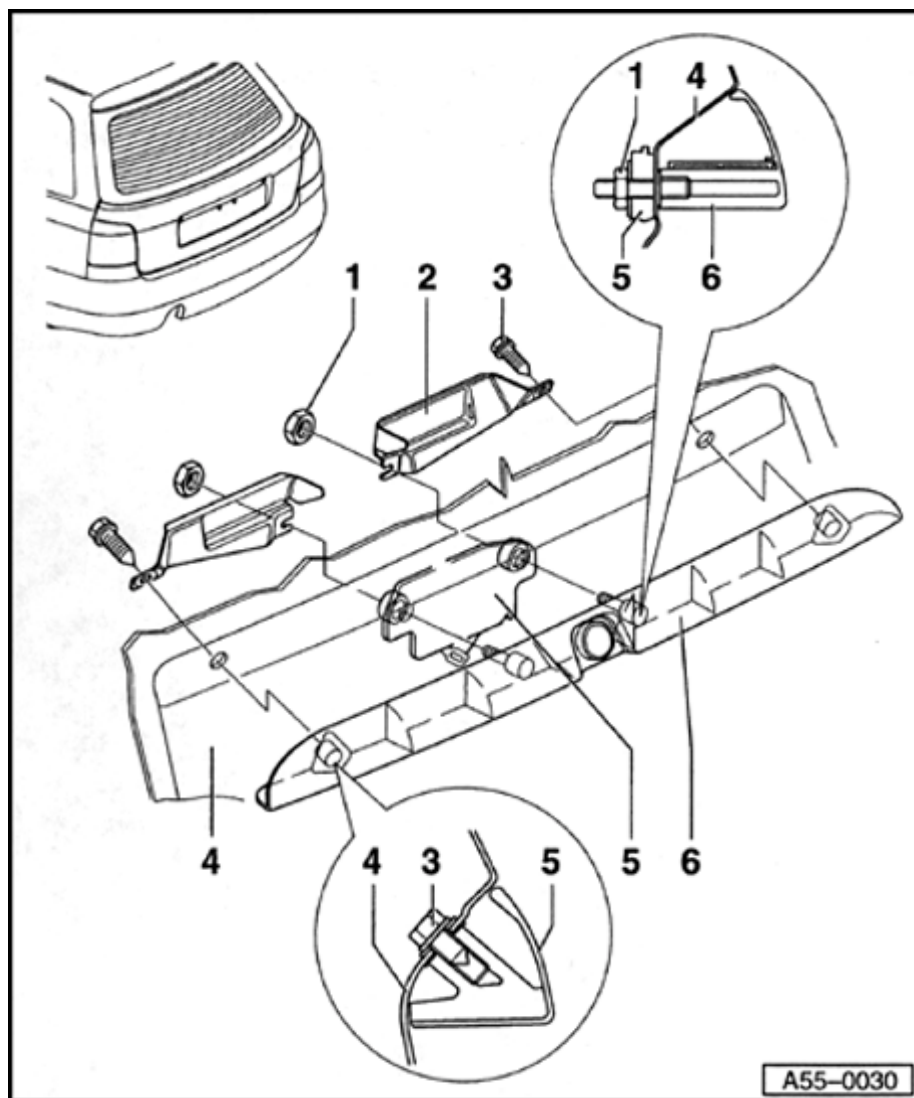


A

- Push out clamping pins (arrow) and remove lock actuator -1- from lock -2-.
- Clamping pins must be snapped into expanding clips again during installation.
- Pry out using screwdriver if necessary.

### **Note:**

*Illustration shows component after removal.*



## Grip piece, removing and installing

### 1 - Hex nut

◆ 8 Nm (71 in. lb)

### 2 - Bracket

- To remove, remove hex bolts -1- and bolts -3-.

### Note:

*Part was discontinued shortly following series launch.*

### 3 - Hex bolt

◆ 8 Nm (71 in. lb)

### 4 - Tailgate

◆ Removing and installing ⇒ [page 55-32](#)

### 5 - Lock mechanism

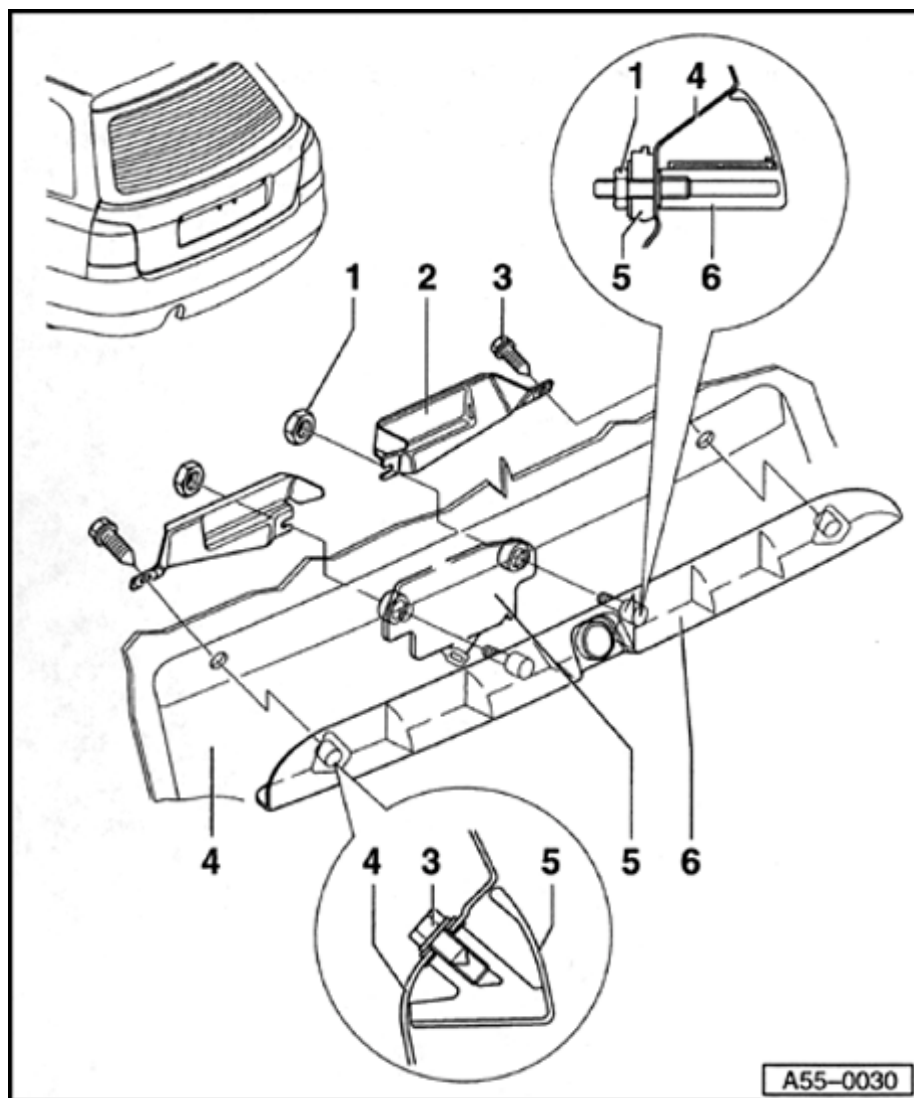
- To remove, remove hex bolts -1-.

- Disengage locating hooks on release handle ( ⇒ [Fig. 1](#) ) and remove.

- Remove lock mechanism.

A55-0030

55-46



### 6 - Grip piece

- Before removal, remove tailgate trim.

⇒ [Repair Manual, Body-Interior, Repair Group 70](#)

- To remove, remove hex nuts -1- and bolts -3-.

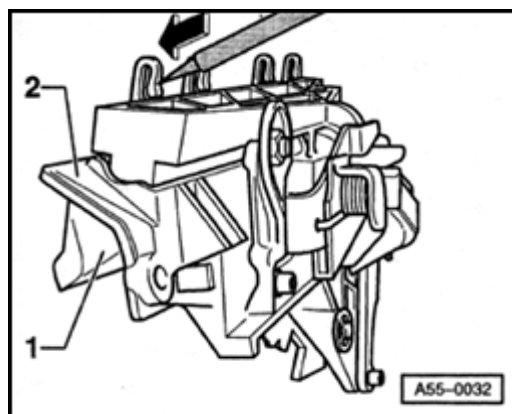
- Pull grip piece slightly out of tailgate and disconnect harness connectors for license plate lights.

- To install, insert grip piece into tailgate holes.

- Thread bracket -2- at lock mechanism and attach to grip piece using external securing screws.



55-47



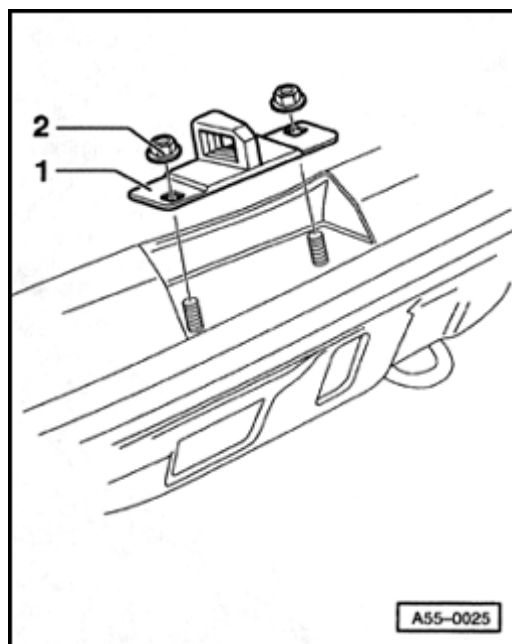
A

**Fig. 1 Removing and installing lock unit**

- Using screwdriver, press in and disengage securing hooks (arrow) on inside of tailgate.
- Pull release handle -1- down and out of lock system -2- under grip piece.

## Tailgate striker, removing and installing

- Before removing striker, mark its position using soft pencil.



A

- To remove, unscrew hex nuts -2- and remove striker -1-.
- Position new striker according to markings and tighten hex nuts finger-tight.
- Close tailgate until lock engages and tailgate is in flush position.
- Open tailgate and tighten hex nuts to 8 Nm (71 in. lb).
- Check for flushness and shutting comfort; adjust if necessary.